

MRTM

Linear Potentiometer

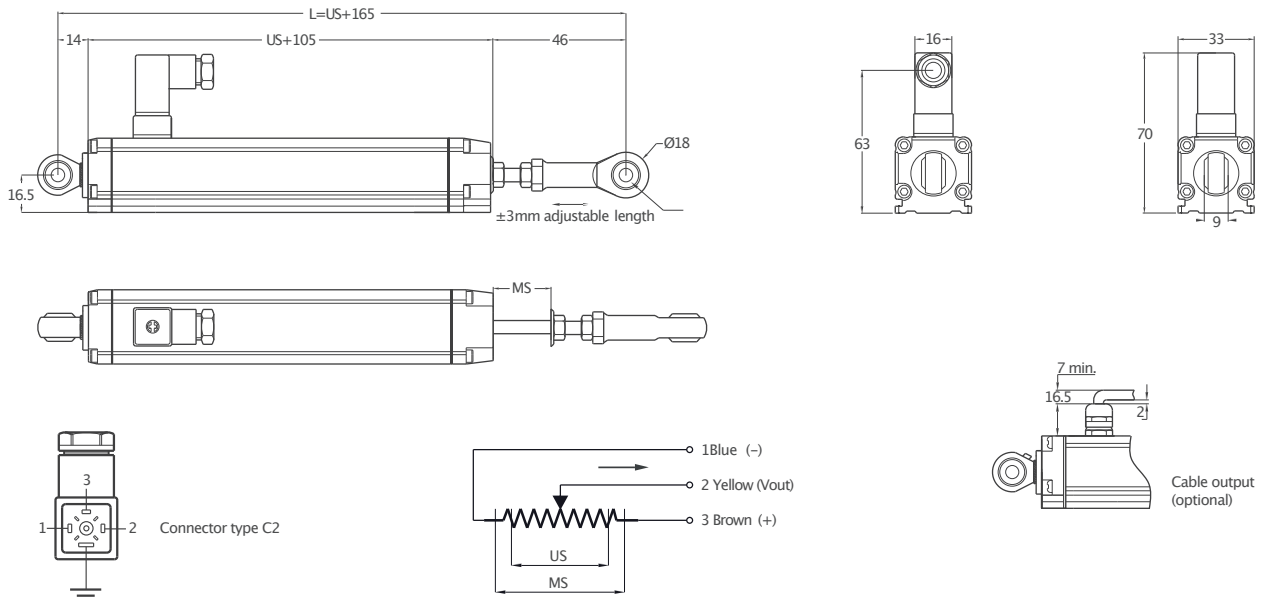
- Measuring range 50–600mm
- 100million movements life
- <0.01mm repeatability
- Infinite resolution
- 5 kOhm : 50–600mm



Technical Specifications

Measurement stroke	50–600 mm
Linearity	±%0.05 (>200mm), ±%0.1 (130–200mm) ±%0.2 (75–129 mm), ±%0.5 (<75 mm)
Repeatability	<0.01 mm
Resolution	Infinite
Resistance	5 kOhm : 50–600mm
Resistance tolerance	±%20
Load resistance	100 kOhm min.
Recommended wiper current	<1 μA
Permissible applied voltage	28 VDC max.
Electrical connections	4 pin connector (standard), cable (optional)
Displacement speed	<5 m/s
Mechanical life	100 million movement
Case dimensions	33 mm x 33 mm
Case material	Anodized aluminium
Rod material	Stainless steel
Rod diameter	Ø6 mm
Mechanical fixing	Ball joints on the both sides
Protection level	IP 65
Operating temperature	-20°C ... +80°C
Storage temperature	-30°C ... +90°C

Mechanical Specifications



MRTM (mm)	50	75	100	125	130	150	175	200	225	250	275	300	325	350	375	400	450	500	550	600
US (Usefull stroke)	50	75	100	125	130	150	175	200	225	250	275	300	325	350	375	400	450	500	550	600
MS (Mechanical stroke)	54	79	104	129	134	154	179	204	229	254	279	304	329	354	379	404	454	504	554	604
L (Total Length)	215	240	265	290	295	315	340	365	390	415	440	465	490	515	540	565	615	665	715	765

Ordering Procedure

Model	Measurement stroke (mm)	Linearity (%)	Resistance (kOhm)	Connector /Cable
MRTM	500	D	5K	C2
MRTM	50–600 mm	A : ±%0.5(<75mm), B : ±%0.2 (75–129 mm), C : ±%0.1 (130–200mm), D : ±%0.05 (>200mm)	5K : 5 kOhm	C2 : 4 pin connector (standard) 1M : 1 meter cable 2M5 : 2,5 meter cable