

MJA-448

JOYSTICK CONVERTER SYMMETRIC OUTPUT & DIRECTION DETECTION

Some industrial applications like speed control require a 0-10V input and 2 binaries direction inputs.

The common solution is to connect together the 2 terminals of a potentiometric joystick to +10V, then connect the center tap to 0V. The direction detection is then done by 2 switches.

Not all joysticks have this possibility, particularly those without center tap and not all joysticks have direction switches.

MJA-448 offers to any joystick a +10V_0_+10V output and two NPN outputs (open collector) per axis.

The large power supply covers most requirements.

It can also convert the output of an analog sensor into a special function curve (ie a special acceleration function).

Contact us for more information.

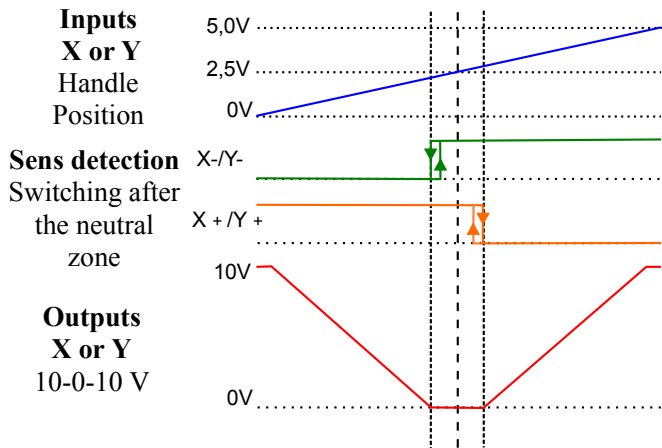


- 2 axes, 2 NPN outputs per axis
- Output 0-10V symmetrical
- Power supply 12-35VDC

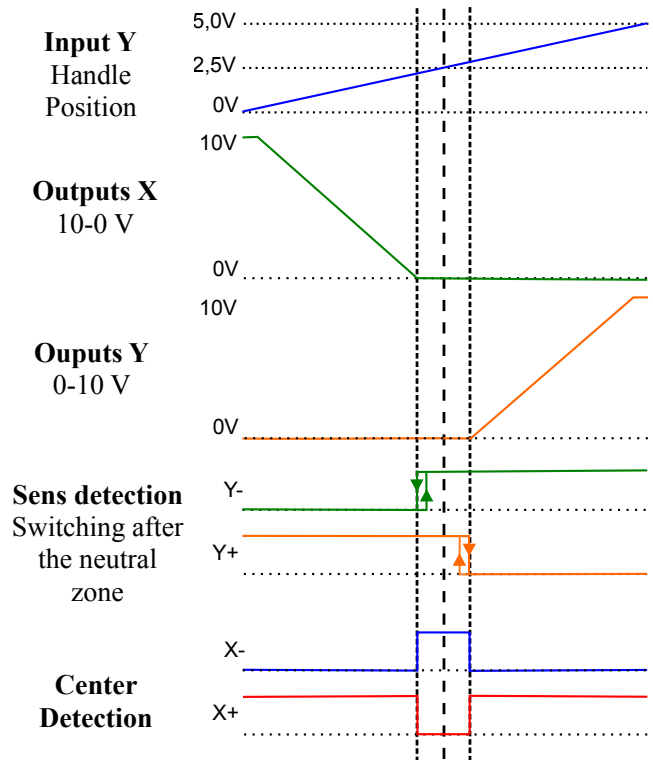
Electrical specifications			
Power supply V+	12 to 35 VDC, protected against polarity inversion		
Voltage supplied to the joystick	5V/50mA		
Current consumption (without joystick)	24mA / 24V		
Output voltage per axis	+10 0 +10 (if V+=10V, Vout=9,5V max)		
Direction signals (2 per axis X+ X-, Y+ Y-)	Open Collector 35V/0,1A with pull-up 4k7 to V+		
Neutral zone	5%		
Mechanical specifications			
Case	Aluminium grey anodized		
Dimensions	54x16x41 mm		
Wiring			
Screw terminal pitch 2,54.			
Joystick terminal block	Power and output terminal blocks		
1	Input axis X (5V max)	output switch dir X+	8
2	Input axis Y (5V max)	output switch dir X-	7
3	Pow Supp Joystick +5V	output switch dir Y+	6
4	0V	output switch dir Y-	5
		analog output X (10 0 10 V)	4
		analog output Y (10 0 10 V)	3
		Power supply 12-35VDC	2
		0V	1



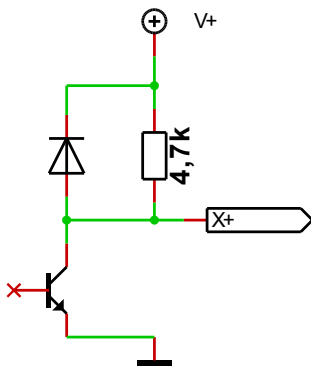
Option A: 2 axes, symmetrical output 10-0-10V
(X and Y identical)



Option B: 1 single axis, 2 outputs 0-10V and 10-0V

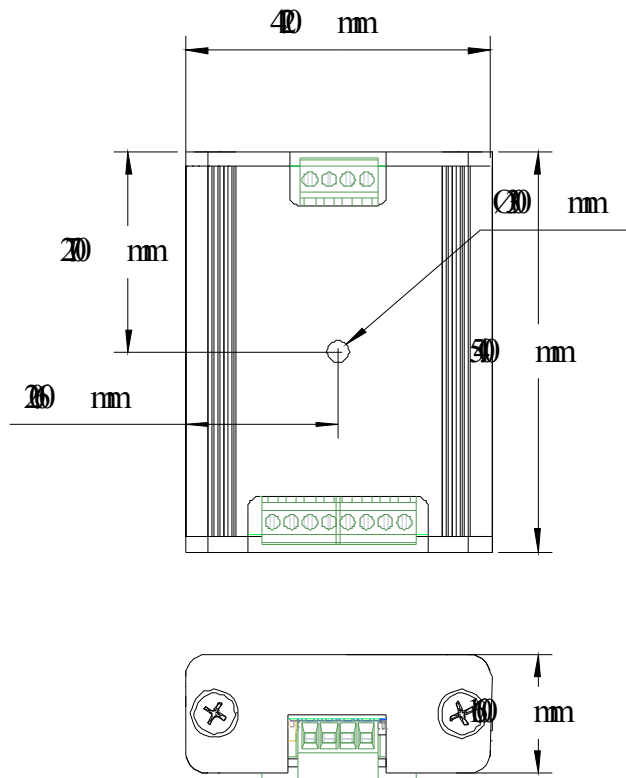


output driver for direction detection



Connect a relay
between V+ and X+

Dimensions



Fixing can be done with an M3 screw, length 20 mm or by nylon collars passed through the central hole and tightened around a strand wire or the body of the joystick for ex.