



Applications

- Pneumatic Systems
- Hydraulic Systems
- Machines Equipments
- Air Cooling – Heating Systems
- Water Technologies
- Automation Applications
- Textile sector
- Fabric dyeing machines

- Piezoresistive pressure sensor
- 26 mm body diameter
- Long-term excellent work
- Stainless steel case
- EMC and reverse polarity protection
- Analog 4 ... 20mA / 0 ... 10VDC etc. different outputs
- Different models from 100 mBar to 600 Bar

ATEK BCT 26 series Pressure transmitters offer high performance for demanding commercial and heavy industry applications.

Our products with piezoresistive working principle can be used in water, air, oil etc. applications.

The standard stainless steel housing with IP65 / IP67 protection can work in harsh environments.

The BCT 26 series, which is not affected by electrical fluctuations and reverse connections due to over voltage and reverse polarity protection, has a long life.

As pressure measurement, all models between 0... 100mbar and 0... 600BAR and all vacuum pressure models between 0... -100mbar and 0... -1BAR can be produced.

BCT 26 TECHNICAL SPECIFICATIONS

Measurement Range	Diffrent models from 0...100mbar to 0...600Bar Different vacuum models from 0...-100mbar to 0...-1Bar
Measurement Type	Ambient pressure measurement as relative Air, Water, Oil, Non-explosive gases
Working Principle	Piezoresistive
Maximum Compressive Strength	300%T.S. ≤ 700mbar, 200%T.S. < 250Bar 150%T.S. ≥ 250Bar *Can be 3 or 5 times.
Oring- Sealing	Standard NBR, optional FKM(Viton) or EPDM
Output Signal	4...20mA(2 Wire), 0...20mA(3 Wire) 0...10VDC, 1...6VDC, 0...5VDC, Ratiometric etc.
Mechanical Connection	G1/4F
Supply Voltage	4-20mA : 8 ... 32 V _{DC} 0-20mA : 12 ... 30 V _{DC} 0-10V : 12 ... 30 V _{DC} Ratiometric : 5 V _{DC}
Operating Current	Maximum 30mA
Accuracy	±%0,3F.S. @25° C
Long Term Stability	±%0,3 T.S./ year
Response Time	1ms %10...%90 nominal pressure
Protection Class	IP65 or IP67
Operating Temperature	-40°C ... +85°C
Ambient Temperature	-40°C ... +85°C
Body	Stainless steel body -1.4305 (AISI303) Optional stainless 316L
Electrical Connection	Models with connector: DIN43650-A, DIN43650-C, M12 or 3 x 0.14mm ² PVC cable (Optional PUR cable)
Weight	~125 grams (except connector)
Mounting / Tightening	15 ... 20 Nm

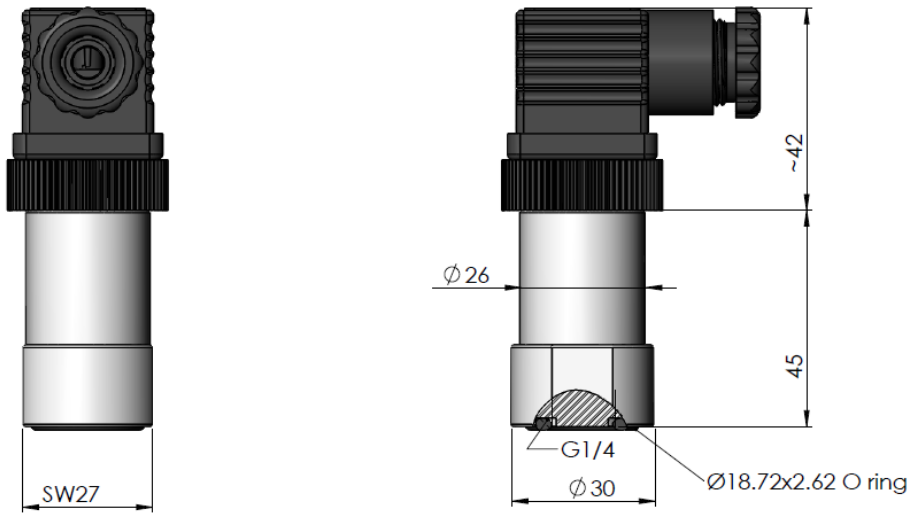
F.S : Full Scale (working pressure range)

* Product life will be shortened when more pressure is given than working pressure
According to the product, it may be damaged at high pressure of 3-5times.

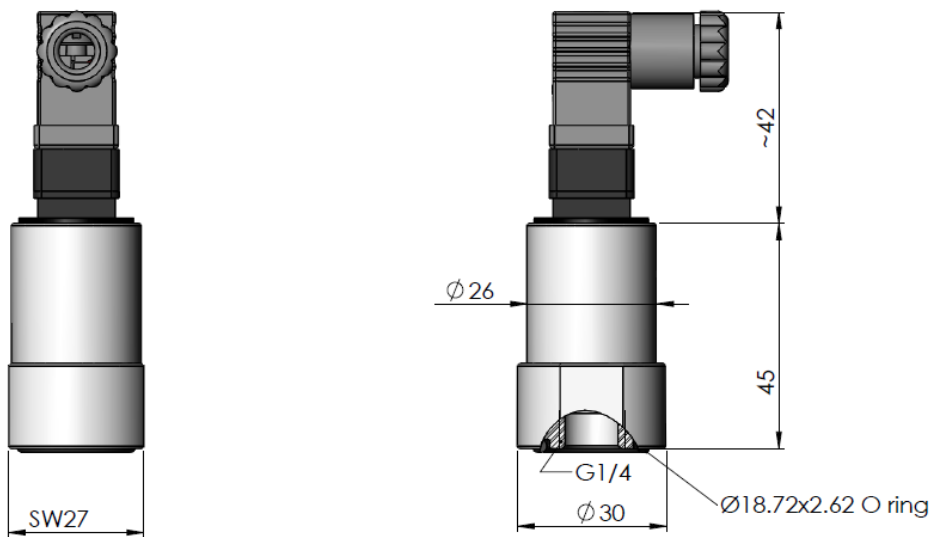
** IP67 protection is provided if M12 socket models are equipped with press-printed sockets.

MECHANICAL DIMENSIONS

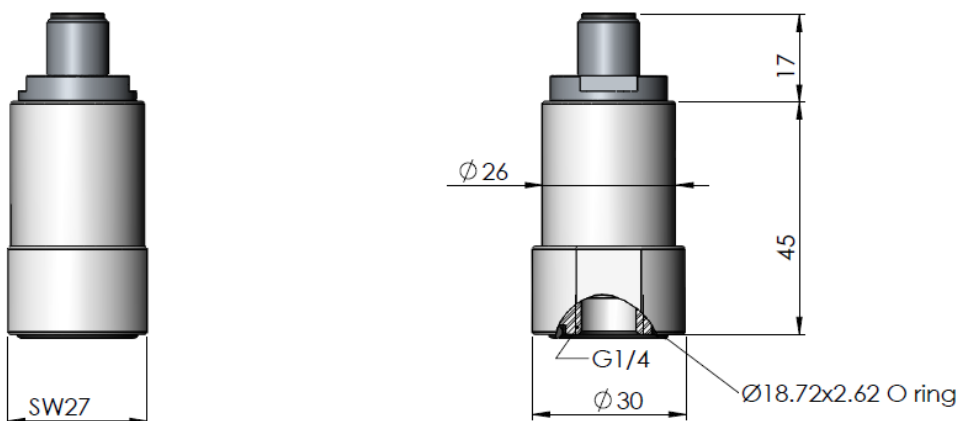
DIN43650-A Connector (S30)



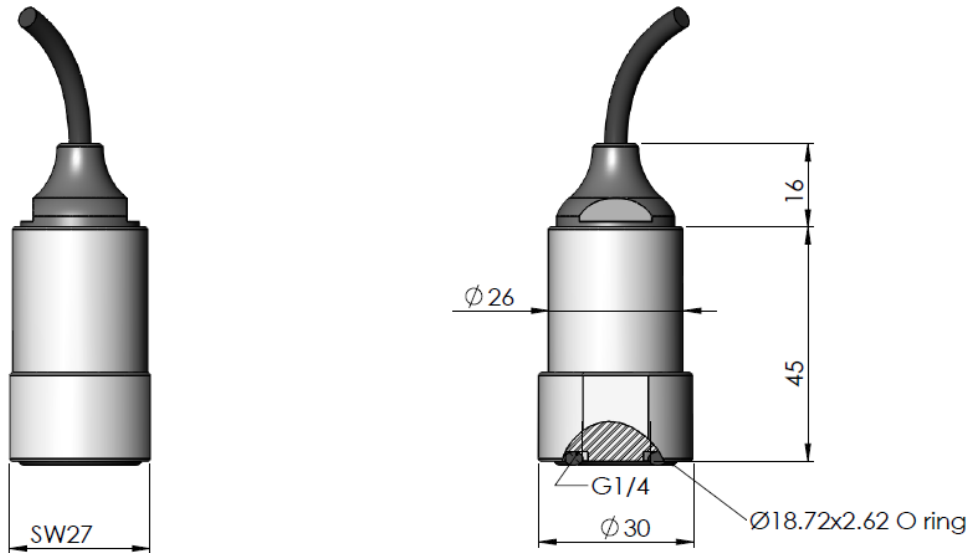
DIN43650-C Connector (S31)



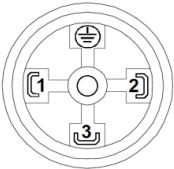
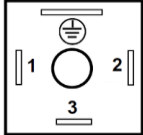
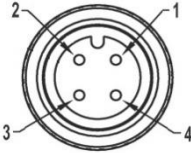
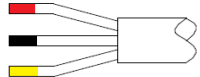
M12 Connector (S12/S15)



Cable



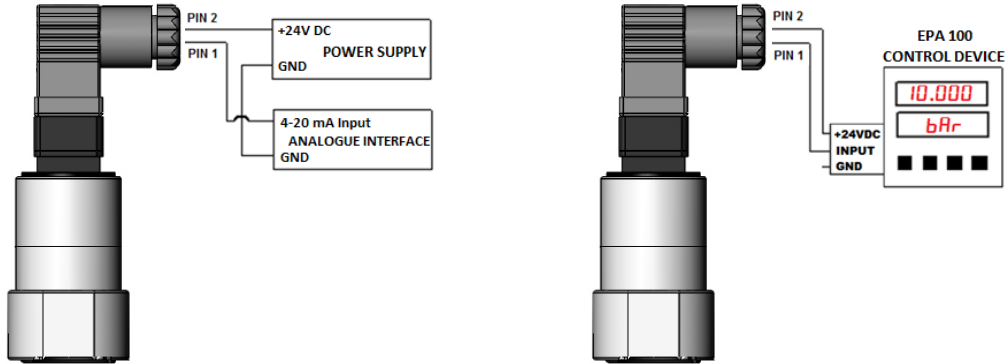
ELECTRICAL CONNECTION

					
		DIN D43650-A	DIN D43650-C	M12	WIRE
		S30	S31	S12 S15	COLOR
		PIN NO	PIN NO	PIN NO	
CURRENT OUTPUT	+Vcc	2	2	2 1	RED
	Analogue Output	1	1	1 3	YELLOW
VOLTAGE OUTPUT	+Vcc	2	2	2 1	RED
	GND	1	1	1 3	BLACK
	Analogue Output	3	3	3 2	YELLOW

* For IP67 protection at model with M12 connector, press-printed cable should be used. Otherwise, it can not be used under IP67 conditions.
 ** There are PVC (standard) or PUR (optional) cable options in the model with cable.

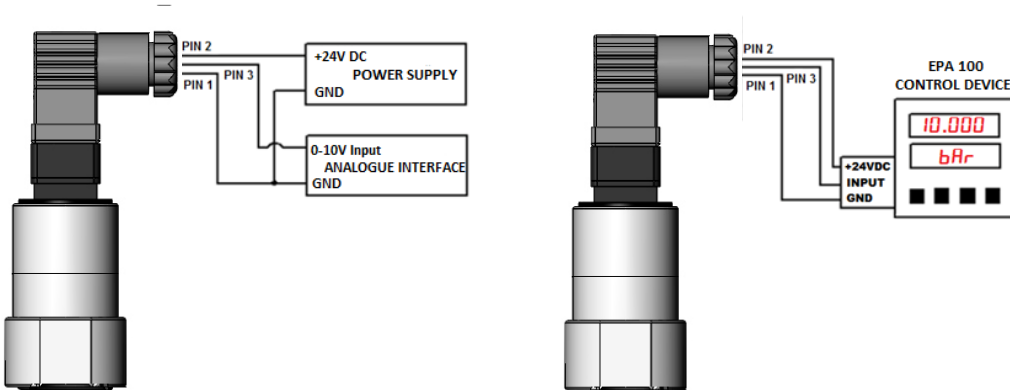
2 Wire 4-20mA Connection Connector Pin No	Signal
1	4..20mA Analogue Output
2	+8..32 VDC(Supply)

Sample Connection:



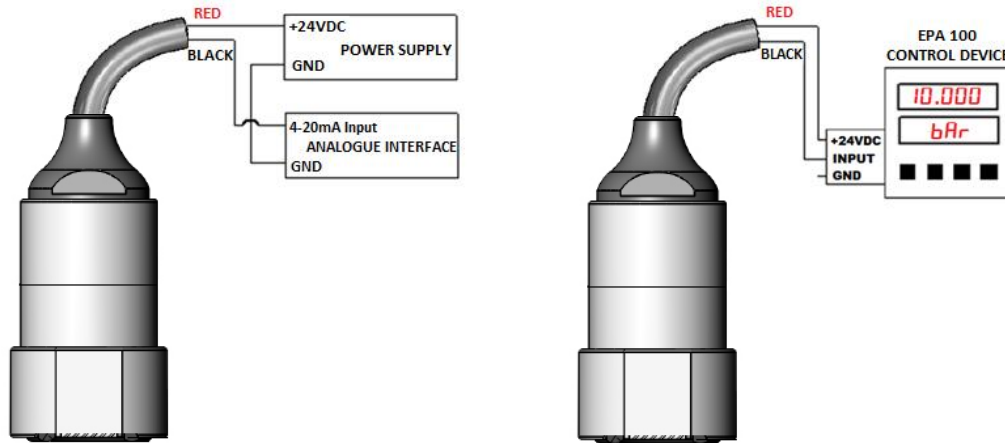
3 Wire 0-10VDC or 0-20mA Connection Connector Pin No	Signal
1	GND
2	+12..30 VDC(Supply)
3	0..10VDC or 0-20mA Output

Sample Connection:



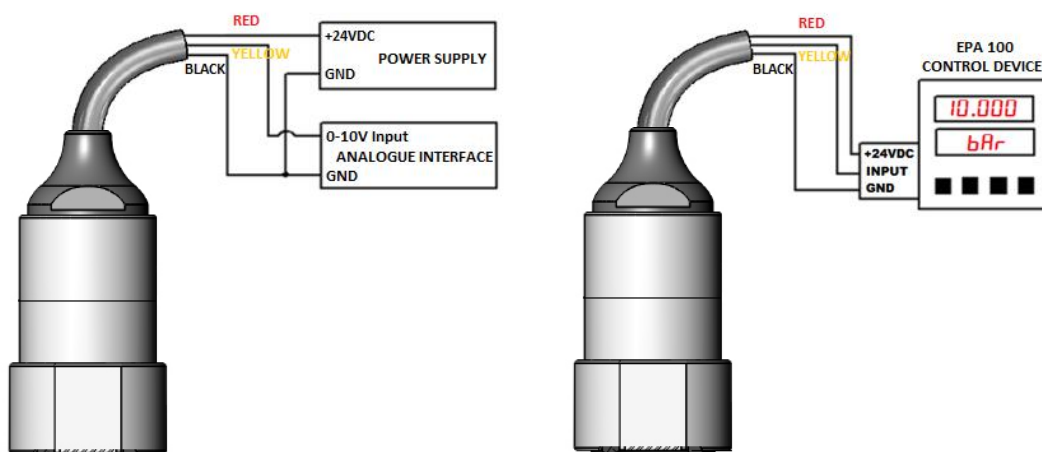
2 Wire 4–20mA Connection Cable Color	Signal
BLACK	4...20mA Analogue Output
RED	+8...32 VDC (Supply)

Sample Connection:



3 Wire 0–10VDC or 0–20mA Connection Cable Color	Signal
BLACK	GND
RED	+12...30 VDC (Supply)
YELLOW	0...10VDC or 0–20mA Output

Sample Connection:



WARNING

Wrong connections disrupt the sensor.

ORDEL DETAILS

Model

BCT 26 – **10Bar** – **A** – **G1/4F** – **S31** – **–**

Output Signal

Voltage Output Product

V : 0–10VDC(standard)
 V1 : 0–5VDC
 V2 : 1–6VDC
 V3 : 0,5–4,5VDC
 V4 : 0,5–5,5VDC
 V5 : 1–5VDC
 V6 : 1–10VDC

Ratiometric Products

V8 : Ratiometric 0.5–4.5VDC
 V9 : Ratiometric 0–5VDC

Current Output Products

A : 4–20mA(2-wire) (standard)
 A0 : 0–20mA(3-wire)

* Ask for other options.

Electrical Connection

S30 : DIN43650–Atype large type connector
 S31 : DIN43650–Ctype small type connector
 S12 : M12x1 4 pin
 S15 : M12x14 pin (1 supply, 3 output)
 2M : 2 meters cable

* Ask for other options.

Working Pressure Range

0...100mBar : Vacuum 0...–100mbar
 –1...0Bar : Vacuum –1...0BAR
 0...–1Bar : Vacuum (Reverse Calibration)

100mBar : 0...100mbar
 250mBar : 0...250mbar
 400mBar : 0...400mbar
 600mBar : 0...600mbar

1Bar : 0...1BAR
 10Bar : 0...10BAR
 16Bar : 0...16BAR
 25Bar : 0...25BAR
 100Bar : 0...100BAR
 160Bar : 0...160BAR
 250Bar : 0...250BAR
 400Bar : 0...400BAR
 600Bar : 0...600BAR

* Ask for other options.

Mechanical Connection

G1/4F : G1/4female connection

* Ask for other options.

Body Material/ Custom Coding

Empty : Stainless 303
 E316 : Stainless 316L

* Ask for other options.

Sample Code :

BCT 26 100mBar A G1/4F S31

Features: 0...100mbarworking range, 4–20mAnalogue output (2 wire connection), G1/4F connection, DIN43650–Cconnector, stainless 303 body

BCT 26 10Bar A G1/4F S30 E316

Features: 0...10BARworking range, 4–20mAnalogue output (2 wire connection), G1/4F connection, DIN43650–Aconnector, stainless 316Lbody

BY-PRODUCTS

BSS Series Pressure Transmitter Coolers

[Max. 250 °C](#)

EPA Series Measurement and Control Devices

[48x48mmmodeli EPA 100](#)

[74x74mmmodeli EPA 200](#)

[96x48mmmodeli EPA 300](#)

