



- Piezoresistive silicon pressure sensor produced by MEMS technology
- M20x1.5, G1/2, G1/4, G1/4 female, NPT1/4, NPT1/4 female, M12X1 and R1/4 female mechanical connection options
- Long life, excellent stability for many years
- EMC, short circuit and reverse polarity protection
- 4...20mA, 0...5VDC or 1...5VDC analog output options
- High Sensitivity: 0,5% FS
- Easy installation

BFT 210 Differential Pressure Transmitter is produced using an oil-filled OEM piezoresistive silicon differential pressure sensor. It has strong corrosion resistance with its stainless steel body. The two pressure ports are threaded and can be mounted directly on the measuring pipe or connected through the pressure pipe. It also has standard analog voltage and current output options. These sensors are generally used in process control, aerospace, automotive, medical equipment, HVAC etc. used in areas.

TECHNICAL SPECIFICATIONS

Differential pressure measuring range	Different options from 100 mBar to 25 Bar
Input pressure	Up to 0–200Bar
Supply and Output	4~20mA (16~36VDC) 1~5V, 0~5V (12~36VDC)
Mechanical connection	M20x1.5, G1/2, G1/4, G1/4 female, NPT1/4, NPT1/4 female, M12X1, R1/4 female
Electrical connection	DIN43650 female connector
Accuracy	0,5%FS
Responsetime	1 ms (up to 90%FS)
Service life	≥10x10 ⁶ pressure cycles
Operating temperature	-10°C... +70°C
Storage temperature	-40°C... +125°C
EMC-interference	IEC 61000-6-3
EMC-immunity	IEC 61000-6-2
Insulation resistance	200MΩ/250VDC
Shock resistance	100g(11ms)
Material	Stainless Steel 304
Max. mounting torque	25Nm
Protection class	IP65
Weight	470 grams

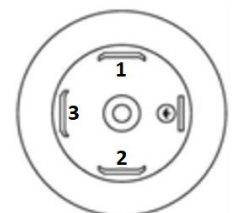
ELECTRICAL CONNECTIONS

0–5VDC or 1–5VDC Connections (3-wire)

Pin No	Signal
1	+VDC Supply
2	GND
3	0...5VDC / 1...5VDC Analog Output

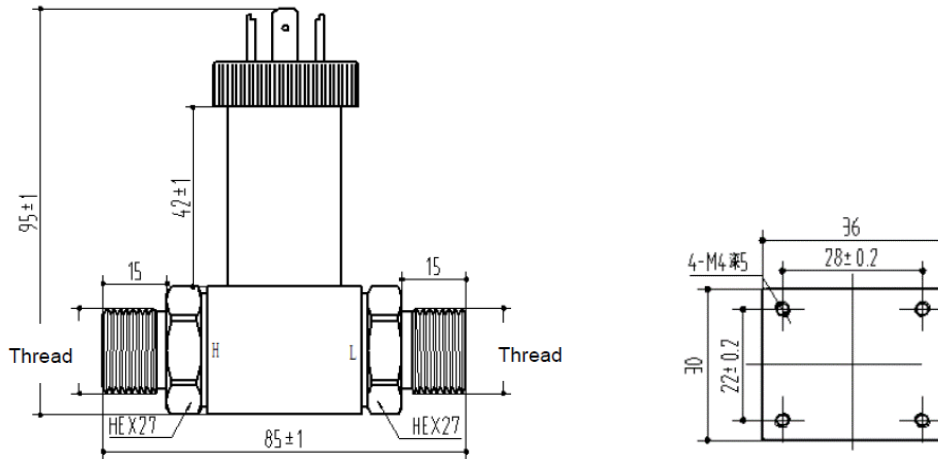
4–20mA Connections (2-wire)

Pin No	Signal
1	+VDC Supply
2	4...20mA Analog Output



DIN43650 Connector

MECHANICAL DIMENSIONS (in mm)



MECHANICAL CONNECTIONS

Connector	M20x15-6g	G1/2	G1/4
Dimensions (mm)			
Recommended Torque	15~25Nm	15~25Nm	15~25Nm
Connector	NPT1/4, Z1/4	G1/4 Female	NPT1/4 Female
Dimensions (mm)			
Recommended Torque	15~25Nm	15~25Nm	15~25Nm
Connector	M12x1	R1/4 Female	
Dimensions (mm)			
Recommended Torque	15~25Nm	15~25Nm	

PRESSURE RANGE SELECTION

Pressure Range Code	Pressure Range	Positive Overpressure	Negative Overpressure
0,1B	0 ~ 0,1 bar	300 % FS	300 % FS
0,2B	0 ~ 0,2 bar	300 % FS	300 % FS
0,35B	0 ~ 0,35 bar	300 % FS	300 % FS
0,7B	0 ~ 0,7 bar	300 % FS	300 % FS
1B	0 ~ 1 bar	300 % FS	300 % FS
2B	0 ~ 2 bar	300 % FS	300 % FS
2.5B	0 ~ 2.5 bar	200 % FS	200 % FS
5B	0 ~ 5 bar	200 % FS	200 % FS
6B	0 ~ 6 bar	200 % FS	200 % FS
10B	0 ~ 10 bar	200 % FS	150 % FS
16B	0 ~ 16 bar	200 % FS	150 % FS
25B	0 ~ 25 bar	200 % FS	150 % FS

ORDER CODE

Model

BFT10-210: Current output
BFT20-210: Voltage output

BFTXX-210

25B

Pressure

Different options from 100 mBar to 25 Bar

A

Output Signal

V1 : 0-5VDC Analog Voltage
A : 4-20mA Analog Current
*Please ask for other options.

G1/2

Mechanical Connection

M20x1,5
G1/2
G1/4
G1/4 Female
NPT1/4
NPT1/4 Female
M12x1
R1/4 Female

Electrical Connection

S : DIN43650 Female Connector
*Please ask for other options.

S