



- Piezoresistive pressure sensor
- 24 mm body diameter
- Long-term excellent work
- Stainless steel case
- EMC and reverse polarity protection
- 4...20mA analog output

Applications

- Pneumatic Systems
- Hydraulic Systems
- Machines Equipments
- Air Cooling – Heating Systems
- Water Technologies
- Automation Applications

ATEK BLT 22 series Pressure transmitters offer high performance for demanding commercial and heavy industry applications.

Our products with piezoresistive working principle can be used in water, air, oil etc. applications.

The standard stainless steel housing with IP65 protection can work in harsh environments.

The BLT 22 series, which is not affected by electrical fluctuations and reverse connections due to over voltage and reverse polarity protection, has a long life.

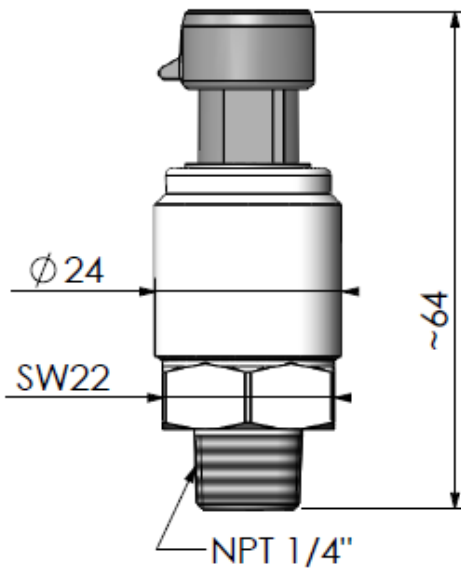
TECHNICAL SPECIFICATIONS

Measurement Range	0...10Bar and 0...16Bar
Measurement Type	Ambient pressure measurement as relative Air, Water, Oil, Non-explosive gases
Working Principle	Piezoresistive
Maximum Compressive Strength	200%F.S. *Can be 3 or 5 times.
Oring- Sealing	Standard NBR, optional FKM(Viton) or EPDM
Output Signal	4...20mA(2 Wire)
Mechanical Connection	G1/4, G1/8, G1/2, NPT1/4, NPT1/8, NPT1/2, M14, UNF7/16X20M, UNF7/16X20F
Supply Voltage	8 ... 32 V _{DC}
Operating Current	Maximum 30mA
Accuracy	±%0,5F.S @25° C
Long Term Stability	±%0,3F.S / year
Response Time	1ms %10...%90 nominal pressure
Protection Class	IP65
Operating Temperature	-40°C ... +85°C
Ambient Temperature	-40°C ... +85°C
Body	Stainless steel body –1.4305 (AISI303) Optional stainless 316L or Titanium
Electrical Connection	Models with socket DIN43650–A, DIN43650–C, M12, Packard or 3 x 0.14mm ² PVC cable (Optional PUR cable)
Mounting / Tightening Torque	15 ... 20 Nm

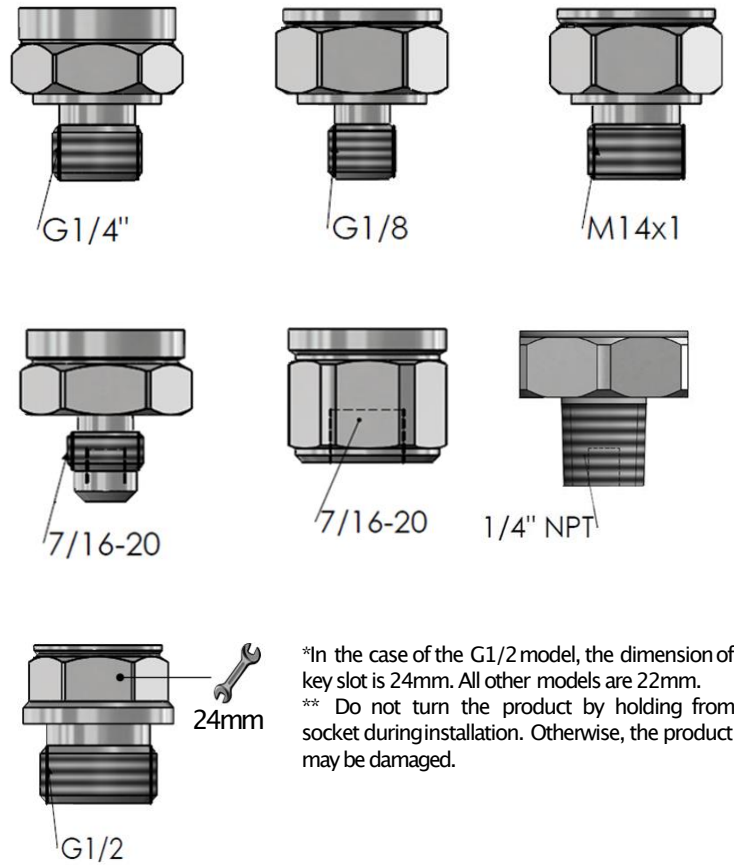
F.S : Full Scale (working pressure range)

* Product life will be shortened when more pressure is given than working pressure
According to the product, it may be damaged at high pressure of 3–5 times

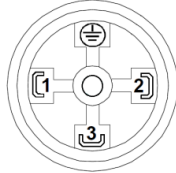
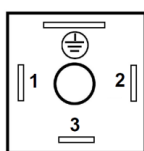
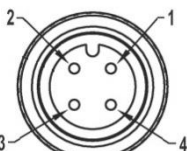
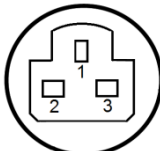
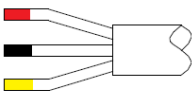
MECHANICAL DIMENSIONS (mm)



MECHANICAL CONNECTION OPTIONS



ELECTRICAL CONNECTIONS

							
		DIN D43650-A	DIN D43650-C	M12		PACKARD	WIRED
		S30	S31	S12	S15	S32	
		PIN NO	PIN NO	PIN NO		PIN NO	COLOR
CURRENT OUTPUT	+Vcc	2	2	2	1	2	RED
	Analogue Output	1	1	1	3	3	BLACK

* There are PVC (standard) or PUR (optional) cable options in the model with cable.
 ** On models with the PACKERD socket, the letter of pin numbers are 1(C), 2(B), 3(A).

ORDER CODING

Model



Output Signal

A : 4–20mA (2–wire) (standard)

* Ask for other options.

Electrical Connection

S30 : DIN43650–Atype large type socket
 S31 : DIN43650–Ctype small type socket
 S12 : M12x1 4 pin
 S15 : M12x14 pin (1 supply, 3 output)
 S32 : Packard socket
 2M : 2 meters cable

* Ask for other options.

Working Pressure Range

10Bar : 0...10BAR
 16Bar : 0...16BAR

* Ask for other options.

Mechanical Connection

G1/4 : G1/4 Connection
 G1/8 : G1/8 Connection
 G1/2 : G1/2 Connection
 NPT1/4 : NPT1/4 Connection
 NPT1/8 : NPT1/8 Connection
 NPT1/2 : NPT1/2 Connection
 M14 : M14x1 Connection
 7/16M : UNF7/16x20M Connection
 7/16F : UNF7/16x20F Connection

* Ask for other options.

Body Material/ Custom Coding

Empty : Stainless 303
 E316 : Stainless 316L

* Ask for other options.

Sample Code :

BLT 22 10Bar A NPT1/4 S32

Features : 0...10bar working range , 4–20mA analogue output (2 wire connection), NPT1/4 connection, packard socket, stainless 303 body

BY-PRODUCTS

BSS Series Pressure Transmitter Coolers

[Max. 250 °C](#)

EPA Series Measurement and Control Devices

[48x48mm model EPA 100](#)

[74x74mm model EPA 200](#)

[96x48mm model EPA 300](#)

