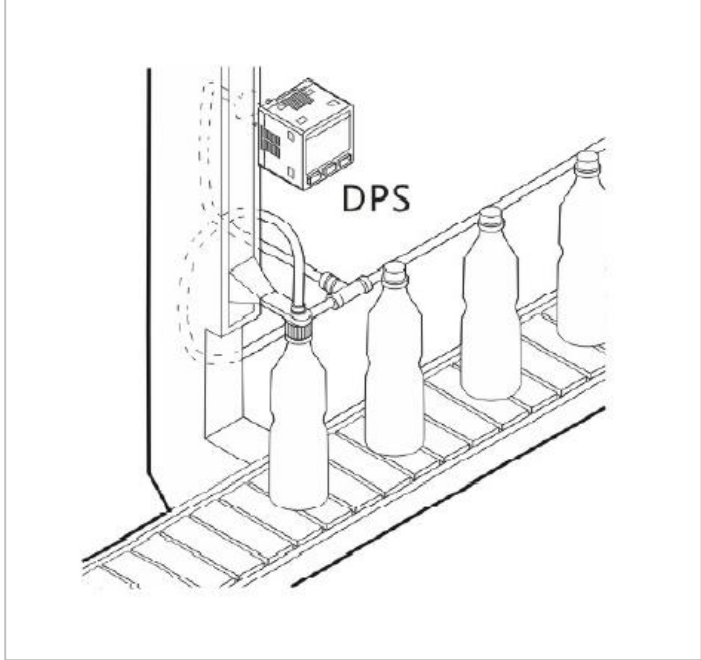
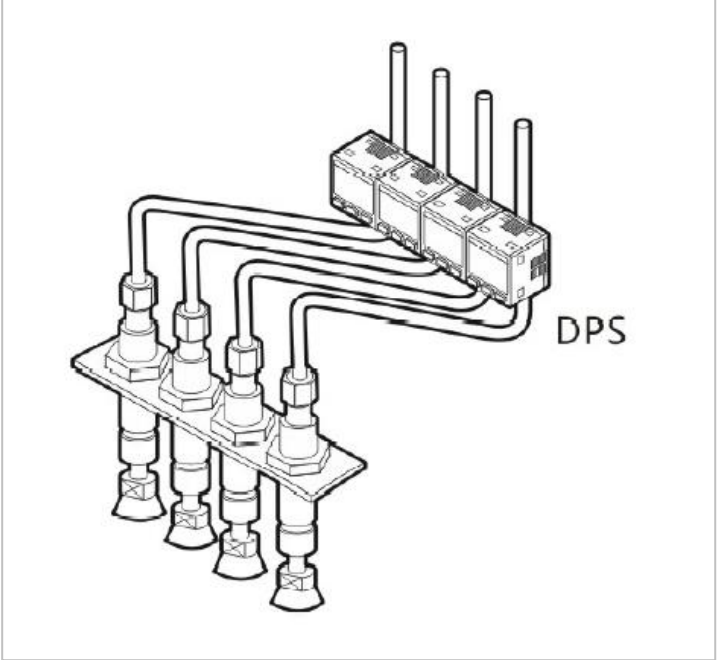


- Ultra low power consumption
- High performance LCDdisplay
- Multiple measurement unit for option
- High quality

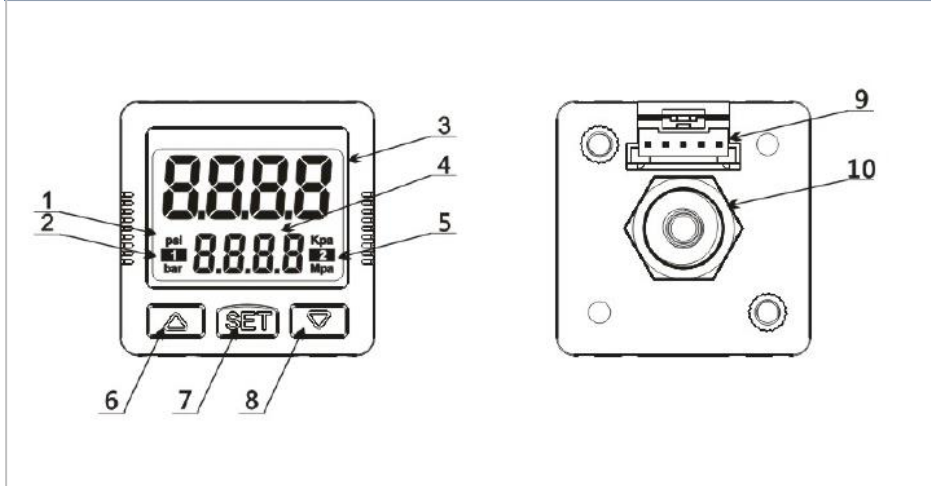
## Positive Pressure Application



## Vacuum Application



## PANEL



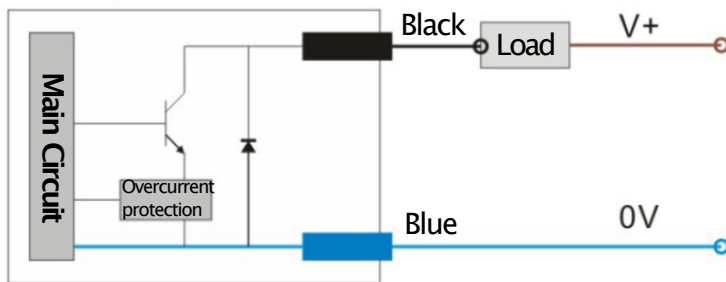
NO	NAME
1	Pressure unit
2	Output 1 indicator
3	Main display section
4	Sub display section
5	Output 2 indicator
6	Up button
7	Setting button
8	Down button
9	Electric interface
10	Pressure port

## TECHNICAL SPECIFICATIONS

Model		DPS-201 Compound	DPS-210 Positive
Pressure Measure	Measuring range	-1bar ~1bar	-1bar ~10bar
	Setting range	-1bar ~1bar	0bar ~10bar
	Withstand pressure	5bar	15bar
	Pressure type	Non-flammable, non-corrosive gas, gauge pressure measurement	
	Measure accuracy	$\leq \pm 2\%$ F.S.(ambient temperature 25°C)	
	Temperature error	$\leq \pm 3\%$ F.S.(temperature range 0~50°C)	
	Measure pattern	Hysterersis mode Compare mode of upper and lower bounds	
Port size		External R1/8, NPT1/8, G1/8 option, internal therad M5	
Display	Brief description	Double LCD display	
	Status display	4-digital measurement value, unit display, output status display	
	Display model	Adjustable backlight, 4 groups of display models	
Input power	Voltage range	12-24VDC $\pm 10\%$	
	Power consumption	40 mA max (non-load)	
Output signal	Transistor output	NPN open collector output Output current: 80 mA max. Voltage drop: $\leq 1K\Omega$	PNP open collector output Output current: 80 mA max. Voltage drop: $\leq 1K\Omega$
	Analog output	Voltage output Signal ampliude: 1-5V Load resistance: $\leq 1K\Omega$	Current output Signal ampliude: 4-20mA Load resistance: $\leq 400\Omega$
	Response time	Adjustable: 2.5ms, 20ms, 100ms, 500ms, 1000ms, 2000ms	
	Short-circuit protection	Yes	
Environmental resistant	IP class	IP40	
	Ambient temperature	Operating temperature 0~50°C, storage temperature -20~60°C	
	Ambient humidity	Operating humidity %35~80 RH	
	Insulation voltage	1000VAC 1 min	
	Insulation resistance	$\leq 50M\Omega$ (500VDC)	
	Shock	Max 100m/s <sup>2</sup> , 3 times each in directions of X, Y and Z	
	Vibration	Amplitude 1.5mm. 10Hz-500Hz, 2hours each direction of X, Y and Z	

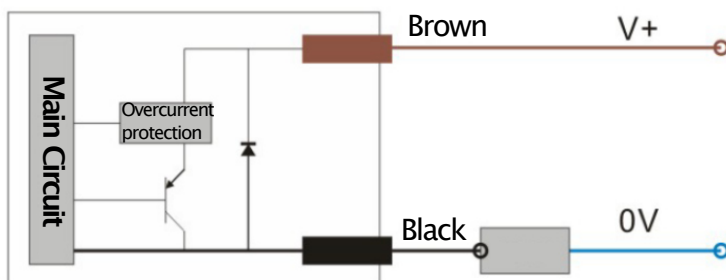
## ELECTRICAL CONNECTION

### NPN Output



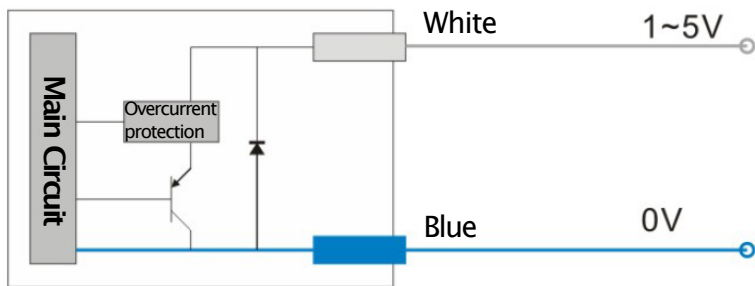
NPN OC circuit:  
Low level output when the switch is on  
High resistance when the switch is off

### PNP Çıkış

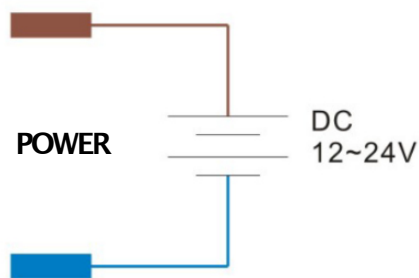
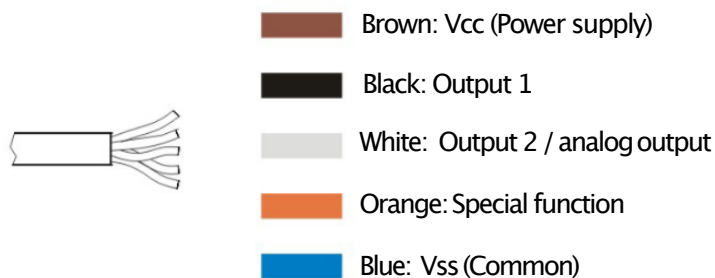


PNP OC circuit:  
High level output when the switch is on  
High resistance when the switch is off

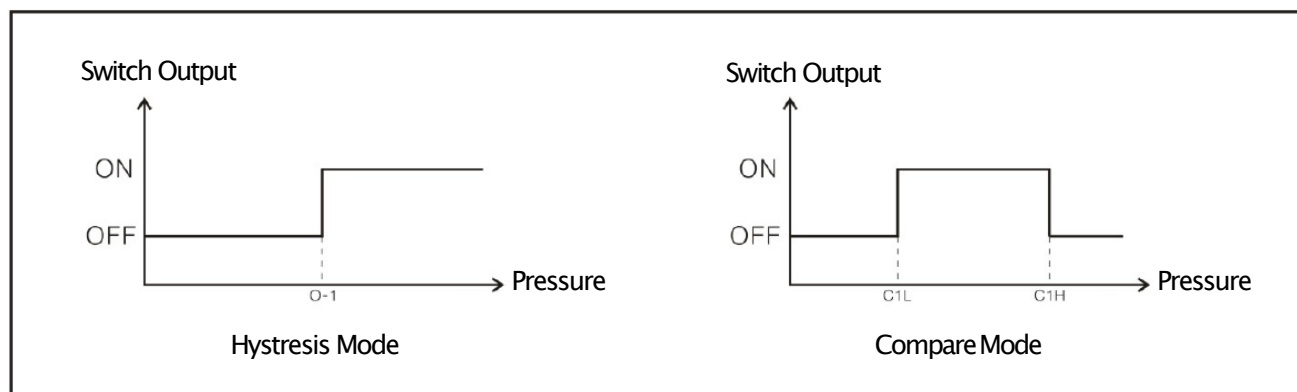
## Analog Voltage Output



Analog voltage output:  
Full scale proportional output  
Reference level 0V

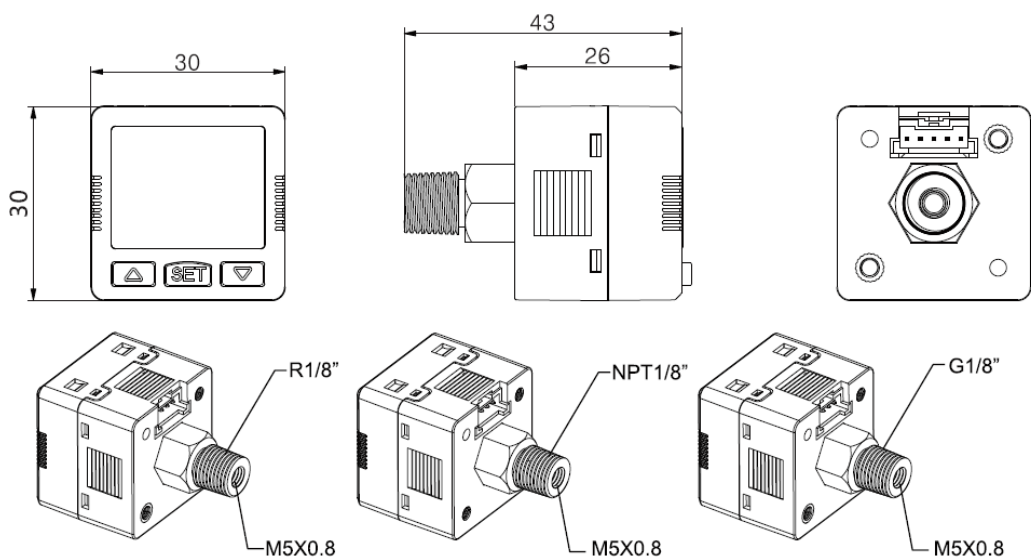


## Output Function Diagram



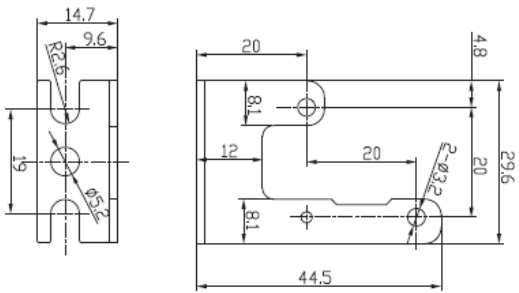
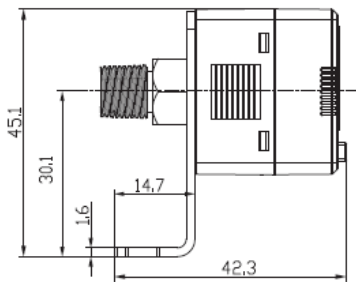
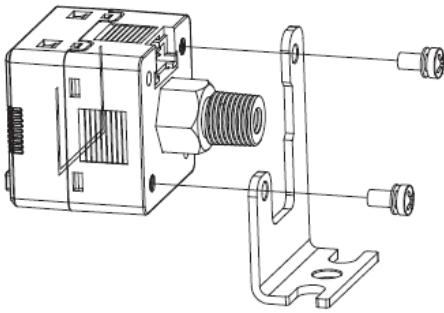
## MECHANICAL DIMENSIONS (mm)

### Overall Dimensions & Connection Port

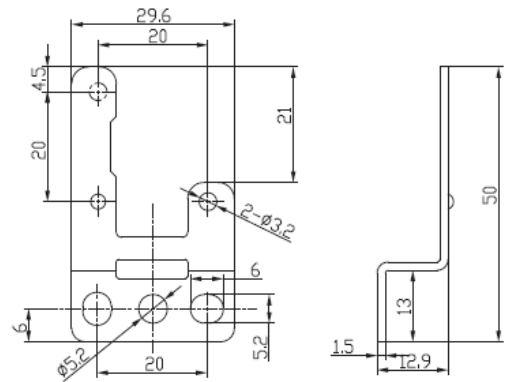
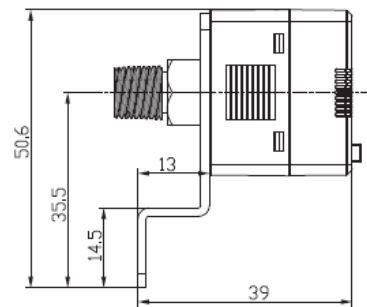
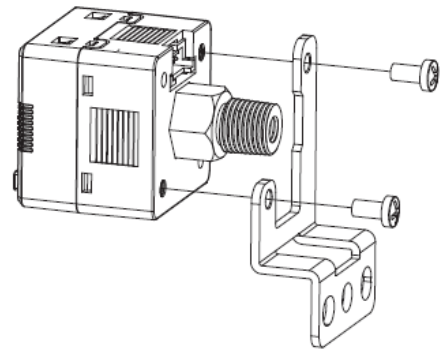


# Mounting bracket

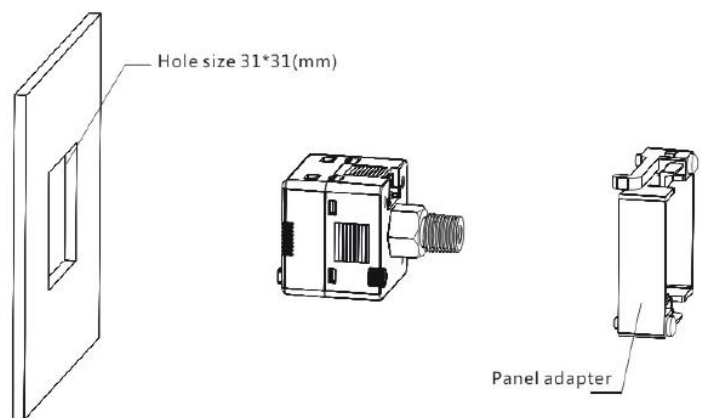
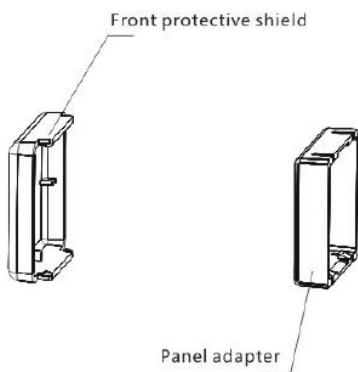
## L bracket assembly



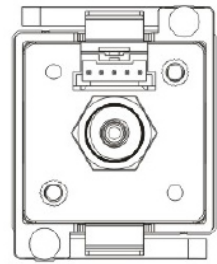
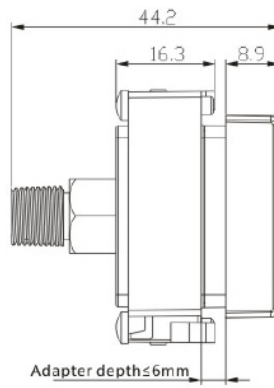
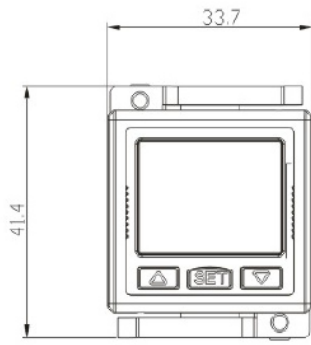
## S bracket assembly



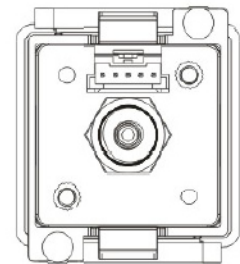
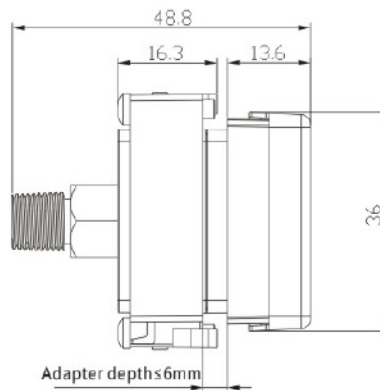
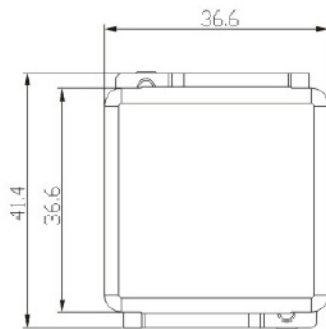
## Panel bracket



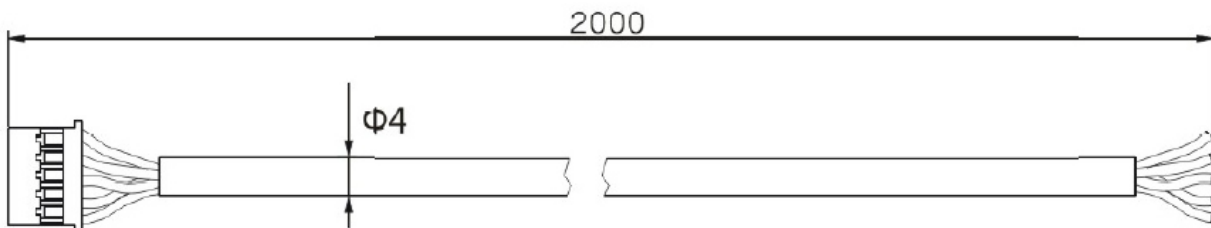
## Panel mount



## Dust cover installation



## Wire dimensions



## ORDER CODE

Model		Port		Montaj				
DPS-2:2series		R: R1/8(M5 thread)		M: Panel				
		N: NPT1/8(M5 thread)		N: Panel+shield				
		G: G1/8(M5 thread)		Z: L bracket				
				S: S bracket				
DPS	-	210	-	R	-	B	-	M
Pressure Range				Output				
10: -1~10bar				N: NPNx2				
01: -1~1bar				P: PNPx2				
				A: NPN+Analog 4-20mA				
				V: NPN+Analog 1-5V				
				B: PNP+Analog 4-20mA				
				W: PNP+Analog 1-5V				