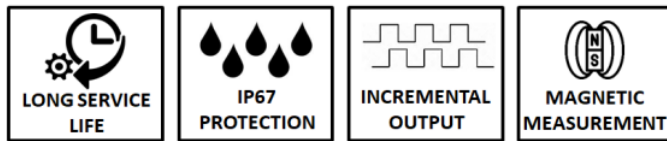


MLS 130

“Very Small Size Reader Sensor”



- Small structure
- Easy installation
- Resolution from 1 μm to 100 μm
- High Accuracy and Repeatability
- Dust, oil and nourishment insensitive
- Robust Aluminum Body
- IP67 Protection Class

MLS130 series sensors can be used with magnetic stripe tape as well as PS1 profile system and PS2 profile system. It moves position 0,1 – 2 mm without touching the magnetic band and reads the position information precisely and sends it as encoder pulse. The MLS 130 magnetic reader sensors can be installed in even the smallest areas due to very small dimensions.

Applications:

- Machining Centers
- PVC Cutting Machines
- Wood Cutting Machines
- Lathes, Milling, Drilling, Grinding Machines
- Sheet Metal Working Machines
- Marble Machines
- Welding Machines
- Bending Machines
- Electrical Discharge Machines
- Robotics / Material Handling
- Glass Working Machinery
etc...

Standard Order

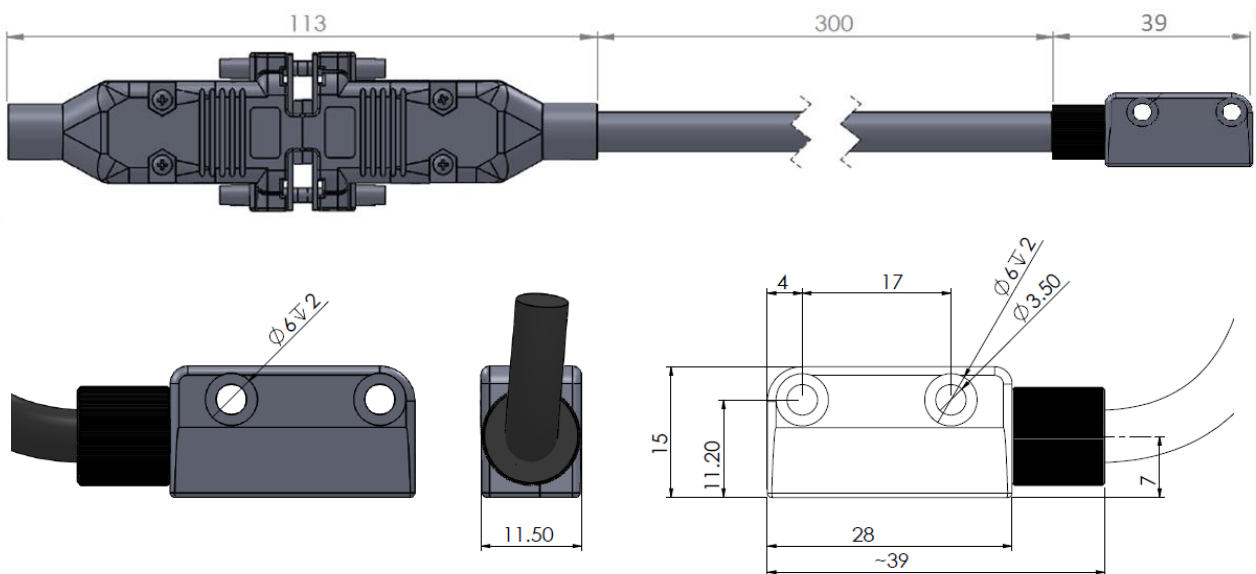


Optional Order*



* The cable is soldered to the female socket. Another socket can be soldered to the end of cable.

MECHANICAL DIMENSIONS (mm)



WARNING (!) The sensor and magnetic tape must be away from magnetic areas. The proximity of the band with comparator, magnet or similar instruments having a magnetic effect, disrupts the working structure of the band.

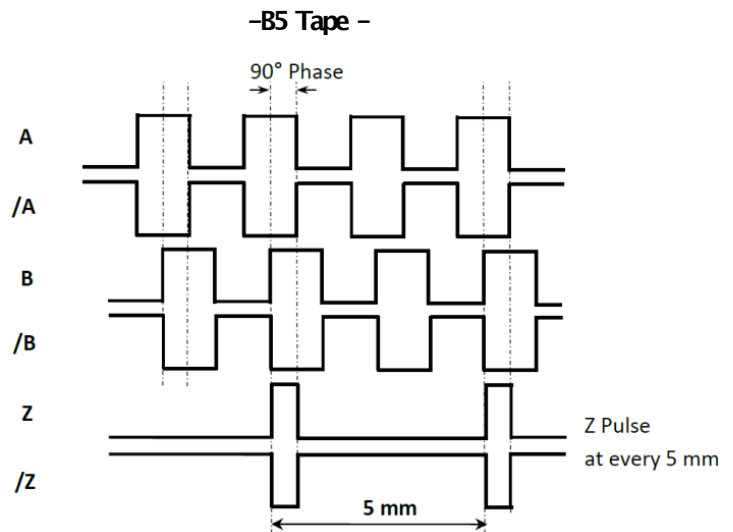
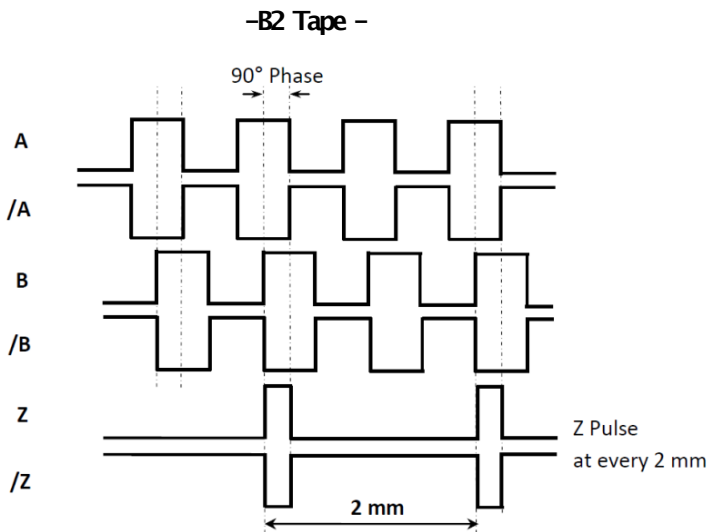
TECHNICAL FEATURES

Measurement Principle	Magnetic, non-contact				
Resolution	1µm, 5µm, 10µm, 25µm, 50µm, 62.5µm, 80µm, 100µm (Optional others)				
Supply And Output		PP	TTL	HTL	HPL
Supply		10...30VDC	5 VDC	10...30VDC	5...30VDC
Output		10...30VDC Push-pull	5 VDC TTL RS422 Line Driver	5 VDC TTL RS422 Line Driver	5...30VDC Push-pull
Output Signals	A, /A, B, /B, Z, /Z				
Current Consumption	40 mA / channel max.				
Repeatability	±1 Pulse				
Gap between tape and sensor	0,1 mm to 2 mm				
Operating Speed	3 m/s				
Operating Temperature	-25...+85°C				
Storage Temperature	-40...+100°C				
Electrical Connection	D-Sub9 pin connector, 5 or 8 x 0,14 mm ² shielded cable				
IP Protection Class	IP67				
Material	Aluminum				

ELECTRICAL CONNECTIONS

SIGNAL	CABLE COLOR	D-SUB9 PIN / SOCKET PIN NO
A	YELLOW	1
/B	WHITE	2
+V	RED	3
0V	BLACK	4
/A	BLUE	5
B	GREEN	6
/Z	GREY	7
Z	PINK	8
-	SHIELD	9

In the left table the cable colors of sensors output signals are given. If the control circuit is suitable in the Line Driver sensors of the not output signals (/A, /B, /Z) have to be added to the system. If it is not suitable /A, /B, /Z signal cables must be fixed as insulated separately. Don't forget that these edges have electricity too.



MAGNETIC TAPE AND PROFILE SYSTEMS USED WITH MLS 130

MLS 130 + [B Series Magnetic Tape](#)



MLS 130 + [PS2 Slim Profile](#)



ORDER CODE

Magnetic Tape

B5
B2

Power Supply and Output

TTL : 5VDC Supply Voltage,
5 VDC TTL RS422 Line Driver Signal Output
PP : 10...30VDC Supply Voltage,
10...30VDC Push-Pull Signal Output
HTL : 10...30VDC Supply Voltage,
5 VDC TTL RS422 Line Driver Signal Output
HPL : 5...30VDC Supply Voltage,
5...30VDC Push-Pull Signal Output

Cable Length

3M : 3 meters
3.5M : 3,5 meters
4M : 4 meters
5M : 5 meters
6M : 6 meters
7M : 7 meters
8M : 8 meters
9M : 9 meters
10M : 10 meters
15M : 15 meters
* Please ask for other options

MLS130 - XX - XX - XXX - X - XX - X

Model

Resolution

01 : 1µm | 05 : 5µm
10 : 10µm | 25 : 25µm
62 : 62,5µm | 80 : 80µm
100 : 100µm

Signal Output Type

2 : A, B | 3 : A, B, Z
4 : A, /A, B, /B | 6 : A, /A, B, /B, Z, /Z

*Standard: Z reference signal at every 5 mm for B5 Tape or every 2 mm for B2 tape

Cable Type

C : Pure Cable
S : Shielded Spiral