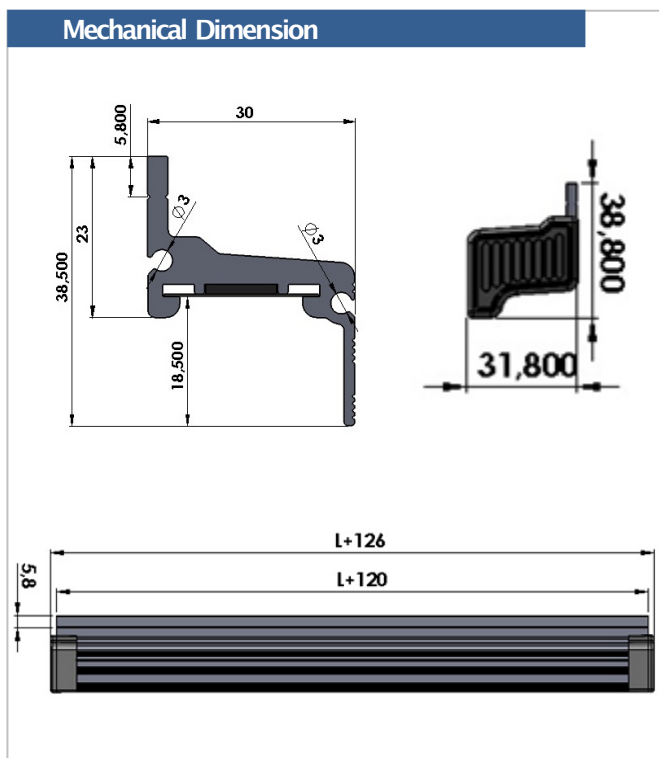




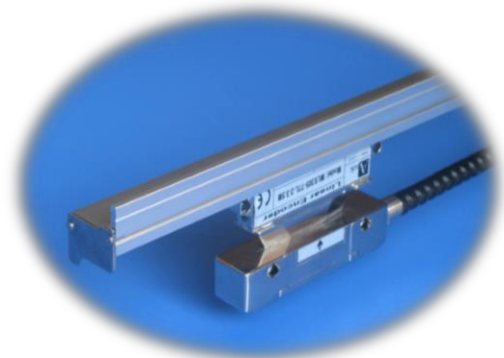
- Tape in "L" Aluminum Profile
- Contactless and Wear Free System
- Very Easy Mounting
- High Accuracy
- Protection Class IP67

In the system magnetic tape integrated in the type profile. The most important specialty of this system is easy assembly. It can be used with MLS110 and MLS 210 reader sensors.



Technical Specifications

| | |
|-----------------------------|---------------------------|
| Life | Infinite (Contactless) |
| Body Material | Aluminum (L) Type Profile |
| Gap Between Tape and Sensor | 1,5 mm (Maximum 2,5 mm) |
| Magnetic Tape Type | B5 (Optional B2) |
| Operating Temperature Range | -25 to +85° |
| Protection Class | IP67 |



WARNING (!) The proximity of the band with comparator, magnet or similar instruments having a magnetic effect, disrupts the working structure of the band. The product should be kept away from devices that generate this type of magnetic field.

Order Specifications

| | | | | | | | | | |
|----------------------------|-------------------------|---|---|---|---|---|---|---|----|
| Model | Measuring Length | | | | | | | | |
| | Optional, User Defined | | | | | | | | |
| | Example: 300 : 300mm | | | | | | | | |
| PS | 110 | - | X | - | X | X | X | X | mm |
| N / S Pole Distance | | | | | | | | | |
| B2 : 2 mm pole length | | | | | | | | | |
| B5 : 5 mm pole length | | | | | | | | | |