

AST 80 Series

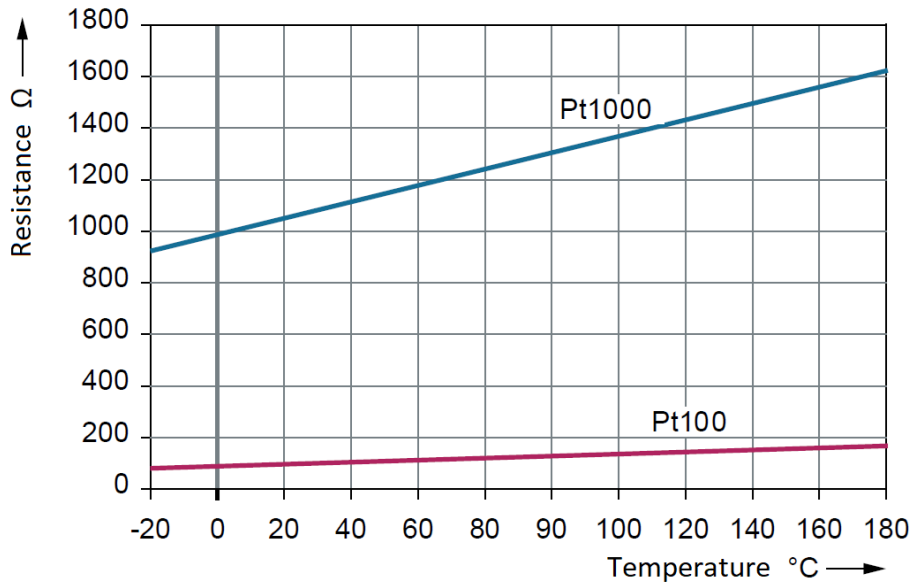
“-50...+250°C Measuring Range,
PT1000”



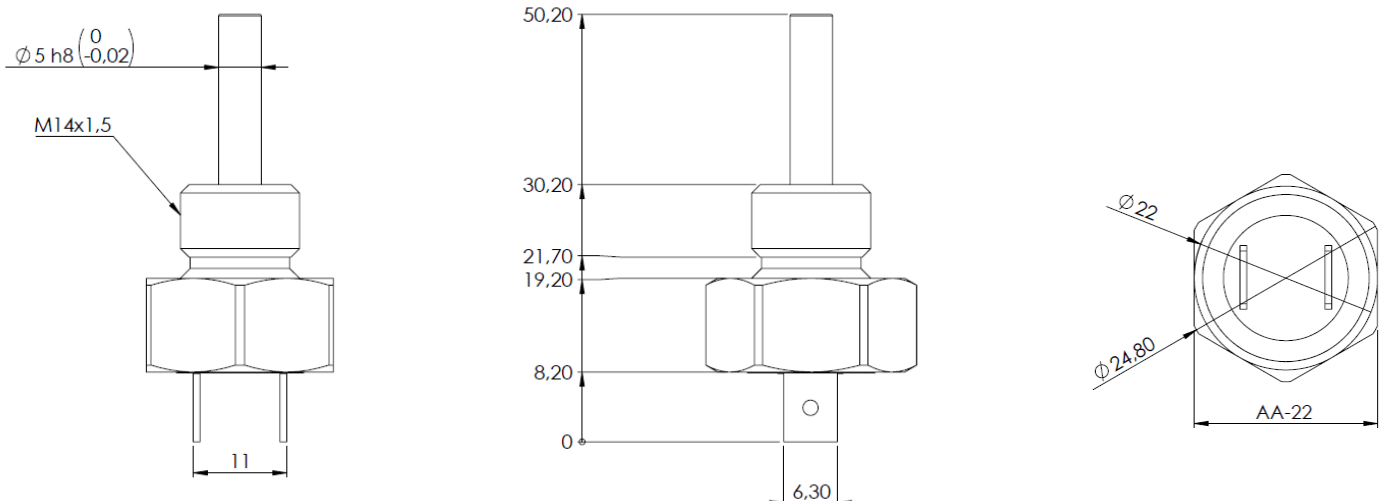
- -50 and +250°C measuring range
- PT1000 sensor
- 2-wire connection
- M14x1.5mm process connection
- IP67 protection class

TECHNICAL SPECIFICATIONS

Measurement Sensor and Specifications	PT1000 (Class B EN60751)
	Stock Code: 6685-12-372-2954
	Temperature Coefficient: 3850TCR Self-heating: 0.2 K/mW at 0 °C Tolerance class: F 0.6 (2B)
Measuring range	-50...+250 °C
Output	2 wire RTD
Process connection	M14x1.5 mm
Wrench size	22mm
Connector size	6.3mm
Material	Brass
Protection	IP67



MECHANICAL DIMENSIONS (mm)



ELECTRICAL CONNECTIONS

2-Wire Connection	Pin 1	Pin 2
	PT1000	PT1000