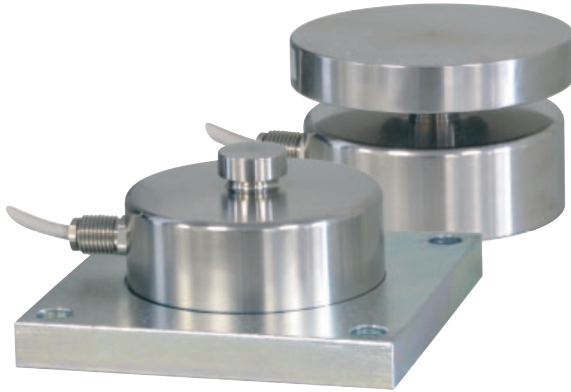


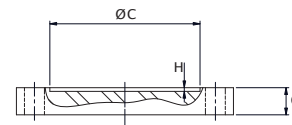
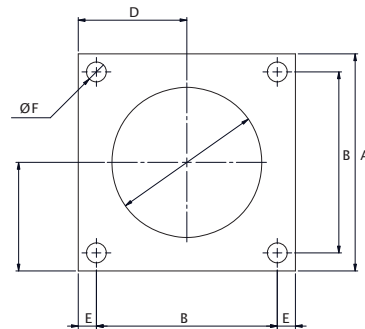
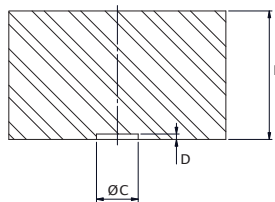
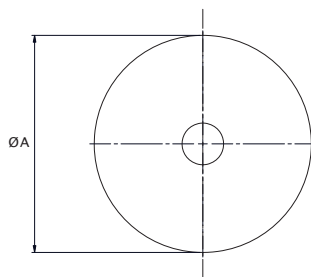


# R10X PLAQUES – PLATES

250 kg ... 100 t


 Capteur vendu séparément  
 Load cell sold separately

- Plaques conçues pour le pesage de cuves
- Plaques d'appui en acier zingué
- Plaques de charge standard en acier inoxydable
- Plaque de charge compatible CAP en acier zingué
- Plaques d'appui et de charge vendues séparément
- Plates designed for tank weighing
- Base plates made of zinc plated steel
- Standard Upper plates made of stainless steel
- Upper plate compatible CAP made of zinc plated steel
- Upper and Base plates sold separately



Plaque de charge pour R10X Upper plate for R10X	Ø A	B	Ø C	D
250 kg ... 15 t, Standard	82	15	23	3
250 kg ... 15 t, compatible CAP	120	71	23	3
30 t	89	15	36	3
50 t S-Size	89	25	36	3
50 t ... 100 t	89	25	62	4

Plaque d'appui pour R10X Base plate for R10X	A	B	Ø C	D	E	Ø F	G	H
250 kg ... 15 t	120	100	83	60	10	11	15	2
30 t ... 50 t S-Size	184	154	127	92	15	13	30	3
50 t ... 100t	240	200	165	120	20	17	30	3

 Toutes dimensions en mm. Dimensions et spécifications non contractuelles. Desirés techniques disponibles sur demande.  
 All dimensions in mm. Dimensions and specifications do not constitute liability whatsoever. Technical drawings are available on request.