



- Piezoresistive pressure sensor
- 23 mm body diameter
- Long-term excellent work
- Air isolated mounting
- Stainless steel case
- EMC and reverse polarity protection
- Analog 4 ...20mA / 0 ... 10VDC etc. different outputs
- Different models from 100 milibar to 600 milibar

Applications

- Textile sector
- Fabric dyeing machines
- Pneumatic Systems
- Hydraulic Systems
- Machines Equipments
- Air Cooling – Heating Systems
- Water Technologies
- Automation Applications

Atek BTE 22 series level transmitters offer high performance for demanding commercial and heavy industry applications.

These sensors with piezoresistive working principle can be used in water, air, oil etc. applications. They need an air insulated mounting method.

The standard stainless steel housing with IP65 protection can work in harsh environments.

The BTE 22 series, which is not affected by electrical fluctuations and reverse connections due to over voltage and reverse polarity protection, has a long life.

All models from 0...100mbar to 0...600mbar can be produced.

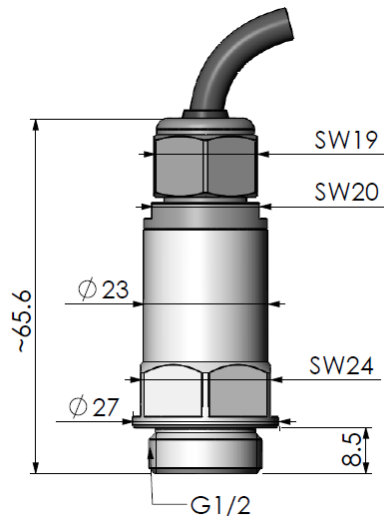
TECHNICAL SPECIFICATIONS

Measurement Range	Different models from 0...100mbar to 0...600mbar
Measurement Type	Ambient pressure measurement as relative Air, Water, Oil, Non-explosive gases
Media Isolation	Air
Working Principle	Piezoresistive
Maximum Compressive Strength	300% FS *Can be 3 or 5 times.
Oring - Sealing	EPDM
Output Signal	4...20mA (2-wire), 0...20mA (3-wire) 0...10VDC, 1...6VDC, 0...5VDC, Ratiometric etc.
Mechanical Connection	G1/2
Supply Voltage	4-20mA : 8 ... 32 V _{DC} 0-20mA : 12 ... 30 V _{DC} 0-10V : 12 ... 30 V _{DC} Ratiometric: 5 V _{DC}
Operating Current	Maximum 30mA
Accuracy	±%0,3 FS @25° C
Long Term Stability	±%0,3 FS / year
Response Time	1ms %10...%90 nominal pressure
Protection Class	IP65
Operating Temperature	-40°C ... +85°C
Ambient Temperature	-40°C ... +85°C
Body	1.4404 (AISI 316L stainless steel)
Electrical Connection	3 x 0,22 mm ² PE cable Cable outer diameter: 7,9 ±0,10mm Drain pipe diameter: 2 mm
Mounting / Tightening Torque	15 ... 20 Nm

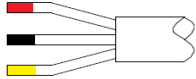
F.S : Full Scale (working pressure range)

* Product life will be shortened when more pressure is given than working pressure
According to the product, it may be damaged at high pressure of 3-5 times.

MECHANICAL DIMENSIONS

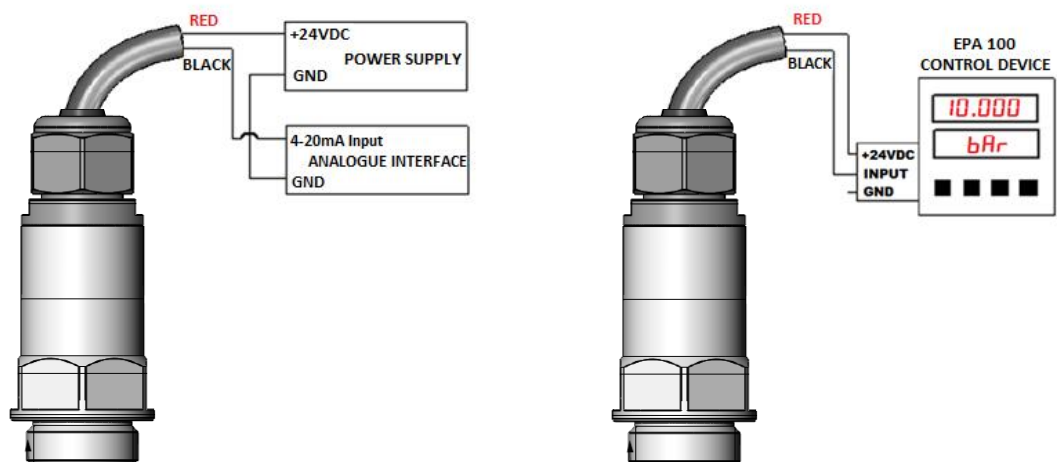


ELECTRICAL CONNECTIONS

		 CABLE COLOR
CURRENT OUTPUT	+Vcc	RED
	Analog Output	BLACK
VOLTAGE OUTPUT	+Vcc	RED
	GND	BLACK
	Analog Output	YELLOW

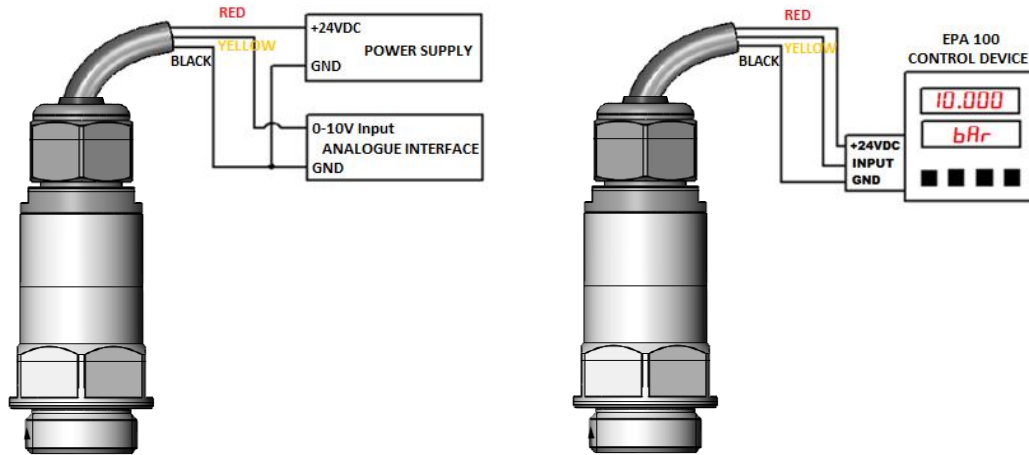
2 Wire 4-20mA Connection Cable Color	Signal
BLACK	4...20mA Analog Output
RED	+8...32 VDC (Supply)

Sample Connection:



3 Wire 0–10VDC or 0–20mA Connection Cable Color	Signal
BLACK	GND
RED	+12..30 VDC (Supply)
YELLOW	0...10VDC or 0–20mA Output

Sample Connection:



ORDER CODING

Model

BTE 22 – **100mBar** – **A** – **G1/2** – **SE** – **2M**

Working Pressure Range

100mBar : 0...100mbar
 200mBar : 0...200mbar
 300mBar : 0...300mbar
 400mBar : 0...400mbar
 500mBar : 0...500mbar
 600mBar : 0...600mbar

* Ask for other options.

Mechanical Connection

G1/2 : G1/2 connection

* Ask for other options.

Electrical Connection

2M : 2 meters cable with drain pipe (standard)

* Ask for other options.

Output Signal

Voltage Output Product

V : 0–10VDC (standard)
 V1 : 0–5VDC
 V2 : 1–6VDC
 V3 : 0,5–4,5VDC
 V4 : 0,5–5,5VDC
 V5 : 1–5VDC
 V6 : 1–10VDC

Ratiometric Products

V8 : Ratiometric 0.5–4.5VDC
 V9 : Ratiometric 0–5VDC

Current Output Products

A : 4–20mA (2-wire) (standard)
 A0 : 0–20mA (3-wire)

* Ask for other options.

Sensor

SE : Silicon EPDM

Sample Code:

BTE 22 100mBar A G1/2 SE 2M

Features : 0...100mbar working range, 4–20mA analog output (2-wire connection), G1/2 connection, Silicon EPDM sensor, 2 meters cable with drain pipe