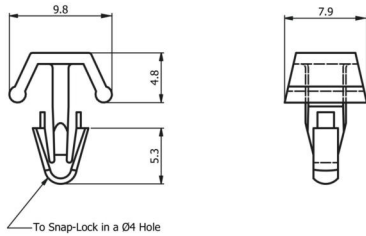


**Series LPR955**

**Article: 401065**

**Rivets**

**LPR 9550 ASSEMBLY-KNOB -2,4 MM**



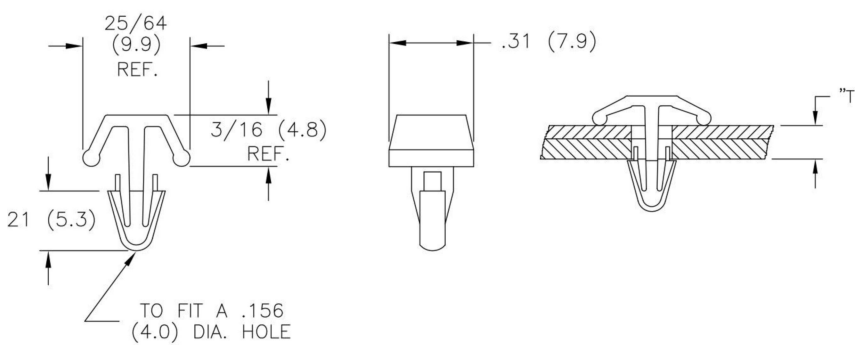
**Technical Data 401065**

Material	nylon 66
Fire protection class	UL 94 V-2
Colour	natural
Ø Rivet head in mm	9,9
Height rivet head in mm	4,8
Ø Mounting hole in mm	4,0
Panel thickness in mm	0,8 - 2,4
Model	Mini-expanding rivet

**Drawing for Component**

Series LPR955

Dimensions in inch (mm)



"T"	
RECOMMENDED	
1/32 - 3/32	(0.8 - 2.4)
3/32 - 5/32	(2.4 - 4.0)
5/32 - 7/32	(4.0 - 5.6)
7/32 - 9/32	(5.6 - 7.1)
9/32 - 11/32	(7.1 - 8.7)
11/32 - 13/32	(8.7 - 10.3)
13/32 - 15/32	(10.3 - 11.9)
15/32 - 17/32	(11.9 - 13.5)
17/32 - 19/32	(13.5 - 15.1)