



- 600 KHz High Speed Input Frequency
- 6 Digits
- Functional External Z (Reset) Input
- Functional External Hold Input
- Quadrature Mode Up-Down Counter
- Prescale Can Be Adjustable (0,00001 – 999999)
- 5 VDC or 12 VDC Encoder Power Output
- 11 Different Control Modes
- Offset Value
- Password Protection

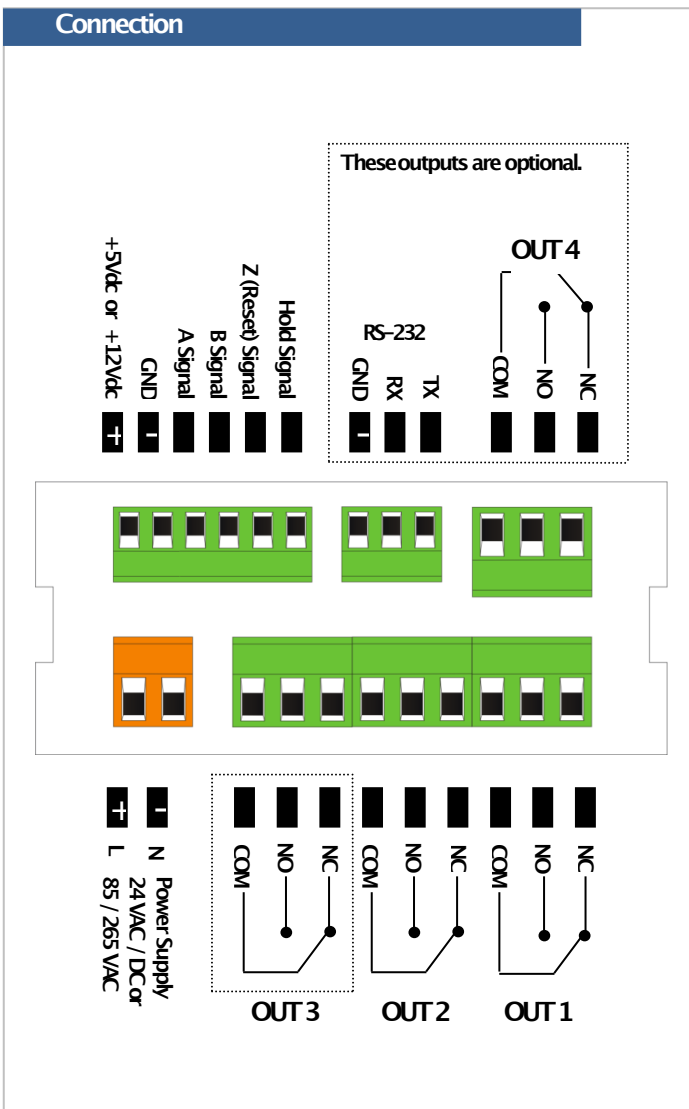
The ALC94 Series universal programmable instruments count signals from rotary encoders, linear encoders, limit switches.

ALC94 secures high accuracy, stability and easy operation of the instrument.

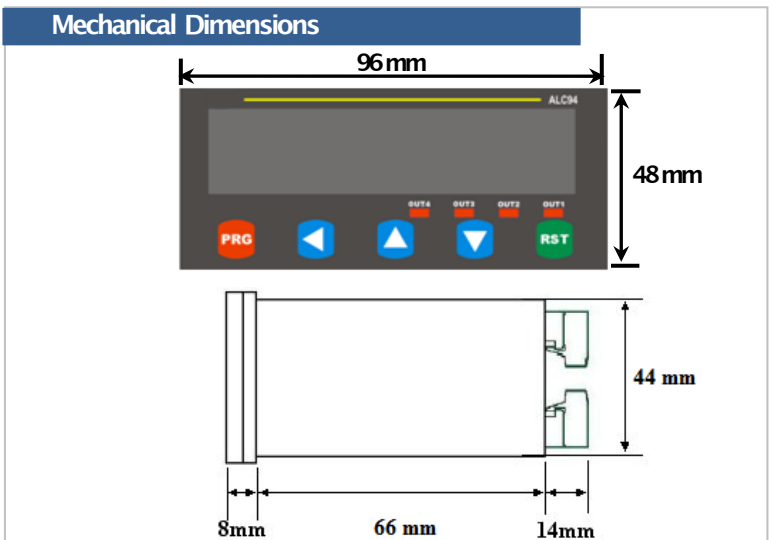
### Technical Specifications

Power Supply	24 VAC/DC 50/60 Hz 85–265 VAC 50/60 Hz
Power Consumption	5,5 VA / 4,4 W Maximum
Sensor Power Supply	5 VDC 100 mA (TTL Sensor) 12 VDC 100 mA (Push-Pull Sensor)
Wiring	2,5 mm <sup>2</sup> Socket Terminal
Inputs	A/B Encoder Pulse Input (600 KHz) Z (External Reset) Input (EDGE can be selected by Menu) Hold Input (EDGE can be selected by Menu)
Outputs (Relays)	2 pcs (Optional 4 pcs) 250 VAC 3A (For resistive load) Relay
Dimensions	96 x 88 x 48 mm
Weight	300 grams
Relative Humidity	Up to 31 °C %80, above 31 °C linear decreasing and at 40 °C %50
Storage Temperature	-10 to 60 °C
Operating Temperature	0 to 50 °C
Protection Class	IP60 Front Panel, IP20 Rear Panel

### Connection



### Mechanical Dimensions



## Order Code

<b>Model</b>		<b>Supply Type</b>		<b>Communication Type</b>				
		24VAC/DC: 24 VAC/DC 220VAC: 220 VAC		RS232: RS-232 comm. No Code: No comm.				
<b>ALC 94</b>	-	<b>XX</b>	-	<b>XXX</b>	-	<b>XX</b>	-	<b>X</b>
		<b>Output Type</b>		<b>Number of relays</b>				
		PP: Push-pull TTL: TTL line driver		2: 2 relays (standard) 3: 3 relays 4: 4 relays				