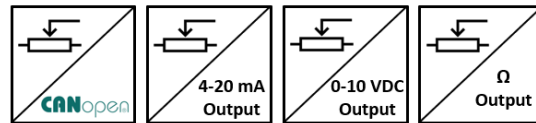




- 2500mm, 4000mm or 5000mm stroke (measuring) lengths (Optional others)
- $\pm 0.5\%$ FS linearity
- Potentiometric, 0–10VDC, 4–20mA analog output or CANopen output
- Aluminum anodized body
- Stainless steel measuring wire
- IP54 protection class
- Easy installation
- 2 m/s maximum speed
- Shock/Vibration resistant



AWP 905 series draw wire sensors; consists of a rotary potentiometer which is controlled by stainless steel wire. They make measurement by pulling and rewinding stainless steel wire. Different stroke (measuring) lengths up to 5000mm are available. They convert linear motion to potentiometric output.

The “A” series gives of 4–20mA analog output with the help of the converter card.
 The “V” series gives of 0–10VDC analog output with the help of the converter card.
 The “C” series gives of CANopen signal output with the help of the converter card.

Optionally, different cable length or socket model can be requested.

TECHNICAL SPECIFICATIONS

*Stroke (measuring) Length	2500mm, 4000mm, 5000mm *Optional others	Maximum Speed	2 m/s
*Connection Cable Length	3m (standard), 5m, 10m	Required Force	12N
*Supply Voltage	“A” and “V” models: 12...30VDC CANopen output model: 10...30VDC Potentiometric output model: 42V max.	*Resistance	5 KΩ (standard), 10 KΩ
*Output Signals	Potentiometric 0–10VDC 4–20 mA CANopen	Measuring Type	Potentiometric
Linearity	$\pm 0.5\%$ FS	Materials	Housing: Aluminum/delrin Measuring Wire: Stainless steel
		Protection Class	IP54
		Operating Temp.	-25°C...+85°C
		Relative Humidity	%95
		Weight	≈1100gr

Note: The technical specifications indicated by (*) vary according to the selected model. The detailed code table is shown on page 4.

CANopen SPECIFICATIONS

Resolution	23 Bit
Communication profile	CiA 301
Device Type	CANopen, CiA DS406
Node ID	Between 1 and 127, it can be adjusted with LSS or SDO
Baud Rate	10 kBit/s, 20 kBit/s, 50 kBit/s, 100 kBit/s, 125 kBit/s, 250 kBit/s, 500 kBit/s, 800 kBit/s, 1 Mbit/s
PDO Data Rate	500 ms
Error Control	Heartbeat, Emergency Message
PDO	2 Tx PDO
PDO Modes	Event/Time triggered, Synch/Asynch
SDO	1 server
Position Information	Object Dictionary 6004
Termination Resistance	Optional, specify at the order stage.

ELECTRICAL CONNECTION

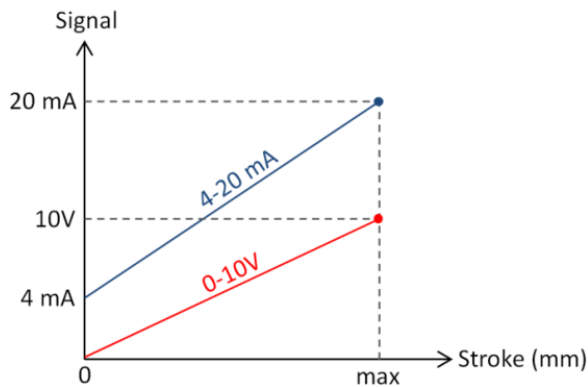
Analog

0-10V or POTENTIOMETER Connection

Signal	Cable Color	M12 5 pin socket
Earth	Earth	Pin 1
+V	Red	Pin 2
0V	Black	Pin 3
0-10V/ Pot	Yellow	Pin 4
-	-	Pin 5

4-20mA Connection

Signal	Cable Color	M12 5 pin socket
Earth	Earth	Pin 1
+V	Red	Pin 2
-	-	Pin 3
4-20mA	Yellow	Pin 4
-	-	Pin 5



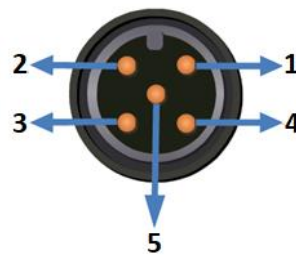
CANopen

Signal	Cable Color	M12-5Pin Socket
CAN_SHIELD	Shield	Pin 1
+V(10...30VDC)	Red	Pin 2
GND (0V)	Black	Pin 3
CAN_H	Yellow	Pin 4
CAN_L	Green	Pin 5

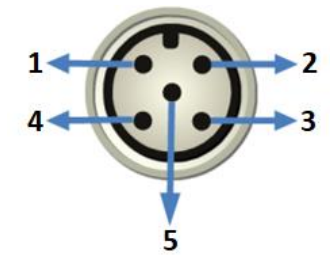
* CANopen models have 2 outputs. 1 pcs M12 5 pin male and 1 pcs M12 5 pin female sockets are used as standard.

* Different socket models can be requested optionally.

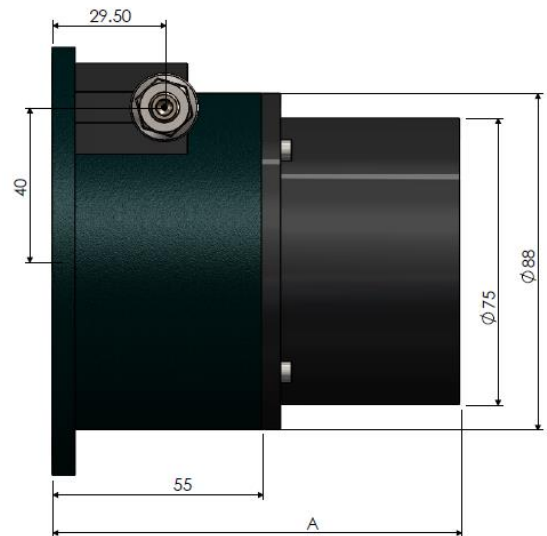
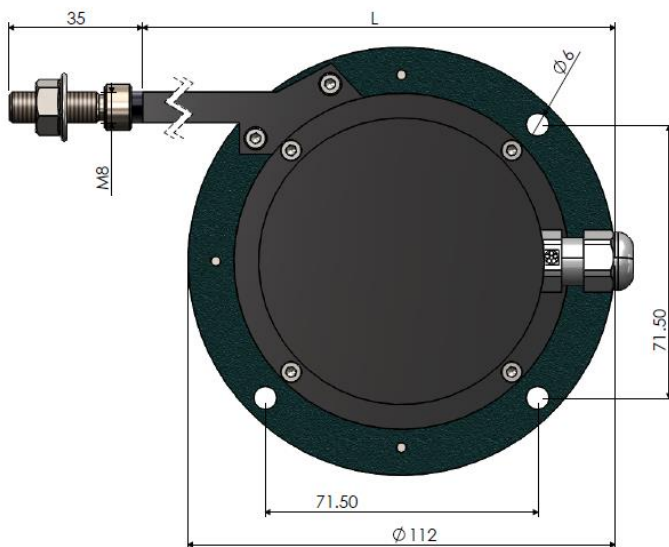
M12 5 Pin Male Socket



M12 5 Pin Female Socket



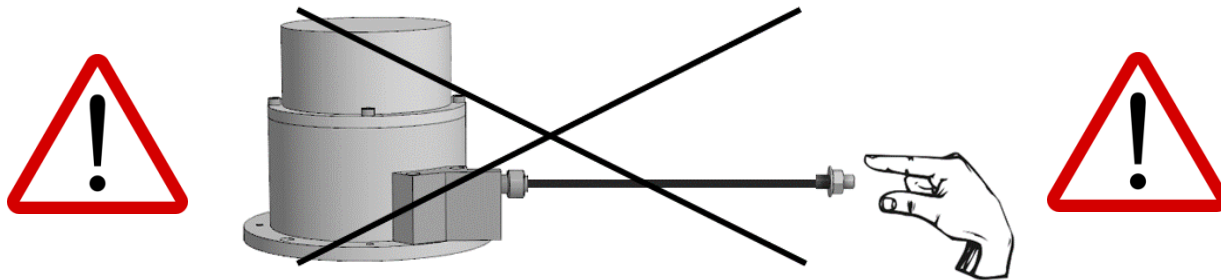
MECHANICAL DIMENSIONS (mm)



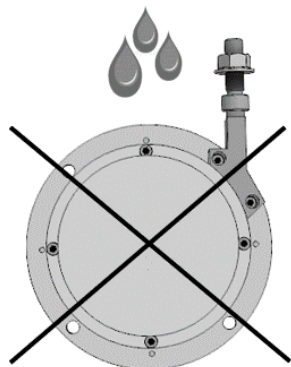
STROKE	L	A
2.5m	113	95
4m	145	107
5m	187	107

MOUNTING AND WARNINGS

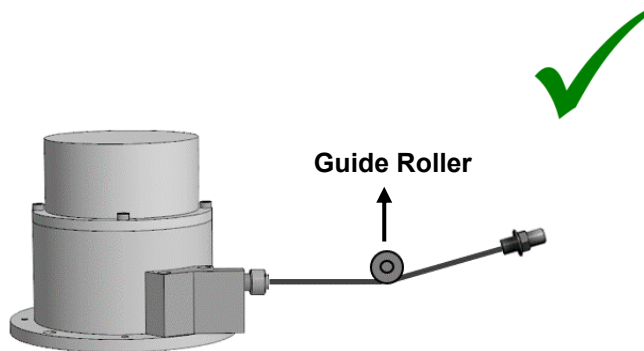
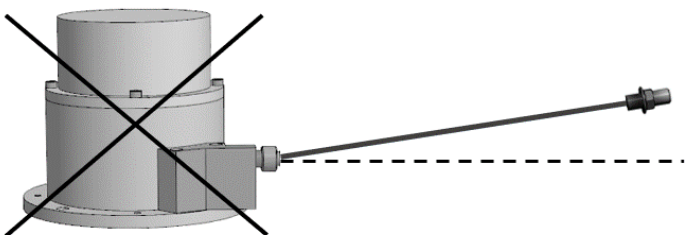
1. Never release the wire after pulling. Otherwise, the coil spring will be damaged.



2. If there is a trickle of water (like a rain), the wire outlet must not be a drip of water upstream. If needed please use guide rollers.



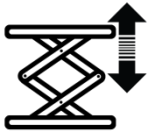
3. The wire should not be pulled in angular. If needed, please use guide rollers.



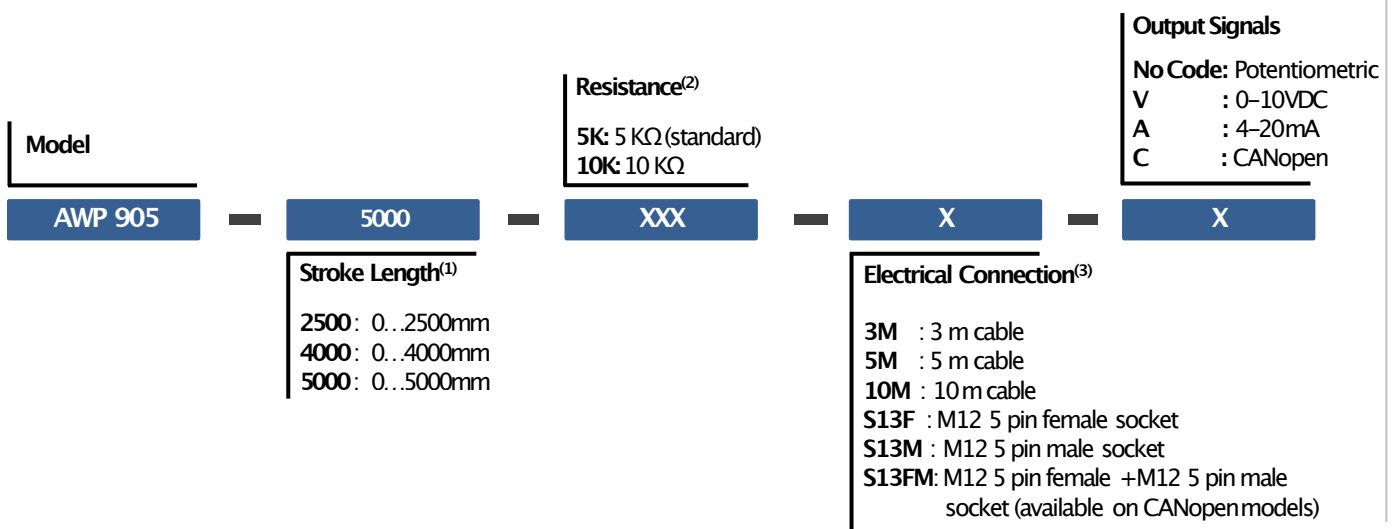
Important Note(!): Failure to comply with these recommendations, the malfunctions that may occur will not be under the warranty.

SAMPLE APPLICATION FIELDS

- Elevators
- Press machines
- Crane systems
- Wood processing machines
- Marble processing machines
- Storage positioning
- Dam protections
- Sluice gate control
- Air compressors
- Glass processing machines
- Lifting platforms
- Applications in medical technologies (operating table etc.)
- Forklifts
- Screw machines
- Paper machines
- Hydraulic machines
- Sheet metal machines
- Printing machines
- Horizontal control equipments
- Construction machines
- Industrial robots
- Injection machines
- X-Yaxis displacement
- Liquid level measurements and position control



PRODUCT CODE



- (1) For other stroke length options, please contact us.
 (2) For other resistance options, please contact us.
 (3) The product can be requested with cable or socket.

As standard;

For analog output models, 1 pcs M12 5 pin male socket (S13M) is used.

For CANopen output models, 1 pcs M12 5 pin female +1 pcs M12 5 pin male socket (S13FM) is used.

Please contact us for any other socket model other than M12

Sample 1: AWP-905-5000-5K-S13M

AWP 905 series, 5000 mm stroke, 5K resistance, 2 pcs M12 5 pin male socket, potentiometric output

Sample 2: AWP-905-5000-5K-S13FM-C

AWP 905 series, 5000 mm stroke, 5K resistance, 1 pcs M12 5 pin female +1 pcs M12 5 pin male socket, CANopen output

Sample 3: AWP-905-5000-5K-3M-A

AWP 905 series, 5000 mm stroke, 5K resistance, 3 meters cable output, current output