

# MELPC

## Linear Potentiometer

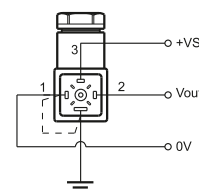
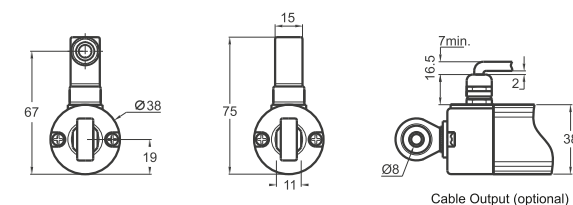
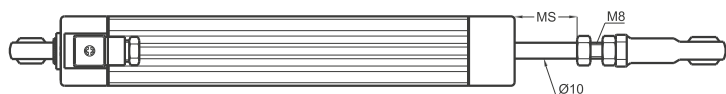
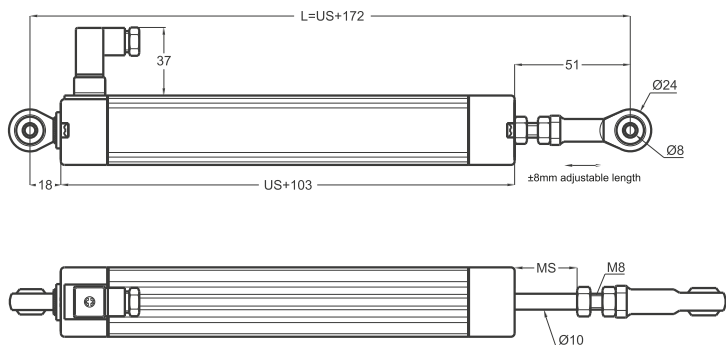
### Internal Voltage / Current Conditioner Circuit

- Internal electronic circuit
- Measuring range 50 - 800 mm
- Output 4-20 mA, 0-20 mA, 0-10 V  
20-4 mA, 20-0 mA, 10-0 V
- Very stable output signal
- Very low temperature drift
- Excellent repeatability



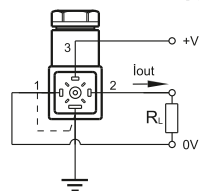
#### Technical specifications

Measurement stroke	50 to 800 mm
Linearity	± %0,05 (>200 mm), ±%0,1 (130 - 200 mm), ±%0,2 (75 - 130 mm), ±%0,5 (<75 mm)
Repeatability	< 0.01 mm
Resolution	Infinite
Output	4-20 mA, 0-20 mA, 0-10 V / 20-4 mA, 20-0 mA, 10-0 V
Permissible applied voltage	15 - 30 VDC
Electrical connections	4 pin connector or 1 m cable
Displacement speed	< 5 m/s
Mechanical life	100 million movement
Case dimensions	Ø38 mm
Case material	Anodized aluminium
Rod diameter	Ø10 mm
Rod material	Stainless steel
Mechanical fixing	Ball joints on the both sides
IP degree	IP 65
Operating temperature	-20°C ... +80°C
Storage temperature	-30°C ... +90°C



0-10V Output

**Cable Colors**  
 [1] Blue : (-)  
 [2] Yellow : Vout / Iout  
 [3] Brown : (+)  
 [4] Black : GND



0-20mA, 4-20mA Output

MELPC (mm)	50	75	100	125	130	150	175	200	225	250	275	300	325	350	375	400	450	500	550	600	650	700	750	800
US (Useful Stroke)	50	75	100	125	130	150	175	200	225	250	275	300	325	350	375	400	450	500	550	600	650	700	750	800
MS (Mechanical Stroke)	55	80	105	130	135	155	180	205	230	255	280	305	330	355	380	405	455	505	555	605	655	705	755	805
L (Total Length)	222	247	272	297	302	322	347	372	397	422	447	472	497	522	547	572	622	672	722	772	822	872	922	972

Model	Measurement stroke (mm)	Linearity (%)	Output	Connector / Cable
(example) MELPC	500	D	V10	C2
MELPC	50 ... 800 mm	D: ±%0,05 (>200 mm) ±%0,1 (130 - 200 mm) ±%0,2 (75 - 130 mm) ±%0,5 (<75 mm)	I4 : 4 - 20 mA    V10: 0 - 10 V I04: 20-4 mA    V01: 10-0 V I20: 0 - 20 mA I02: 20-0 mA	C2 : 4 pin connector 1M5: 1,5 meter cable