

## Contactless Magnetostrictive Position Sensor

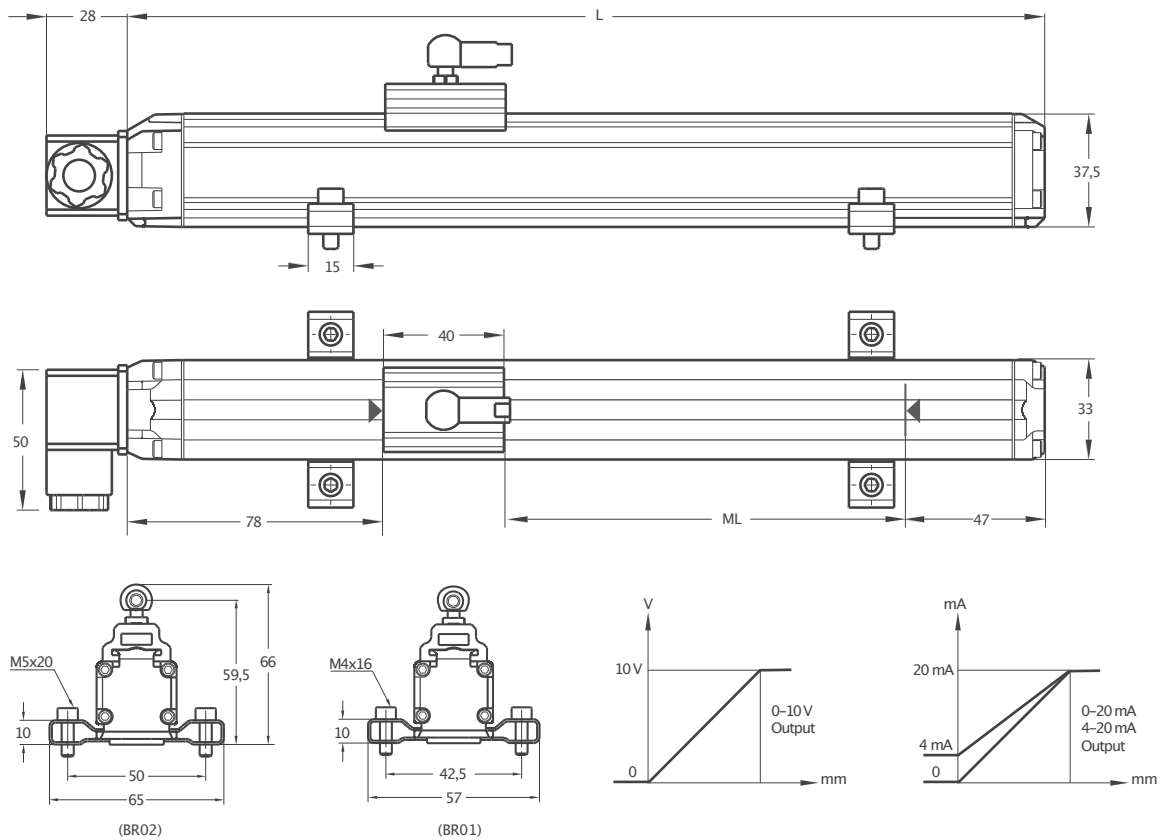
Measuring range 50 – 5000mm  
 16 bit resolution  
 0...10 V, 0...20 mA, 4...20 mA  
 10...0 V, 20...0 mA, 20...4 mA output  
 24VDC supply



### Technical specifications

Measurement stroke	50 to 5000 mm
Resolution	16 bit DAC output
Repeatability	±0,005%(full scale)
Output	0 ... 10 V, 10 ... 0 V, 4 ... 20 mA, 0 ... 20 mA, 20 ... 4 mA, 20 ... 0 mA
Power supply	24 VDC ±10%
Update time	(0–600mm, 0,5ms), (600–1500mm, 1ms), (1500–3000mm, 2ms), (1501–5000mm, 3ms)
Load Resistance	R <sub>Load</sub> max = 500 Ohm, for current output
Max. consumption	50 mA – 90 mA (depending on stroke length)
Max. output noise	<5 mVpp
Linearity	±0,05%full scale (min. 100µm)
Reverse polarity protection	Yes, Up to (-30 VDC)
Overvoltage protection	Yes, Up to (30 VDC)
Vibration	EN 60068-2-6, 5-200 Hz 200 m/s <sup>2</sup> (20g), 2h 30min each axis (x,y,z)
Case dimensions	33 mm x 37,5 mm
Case material	Anodized aluminium
Mechanical fixing	Variable brackets
Protection level	IP 65-EN 60529
Operating temperature	-10°C ... +70°C
Storage temperature	-30°C ... +90°C

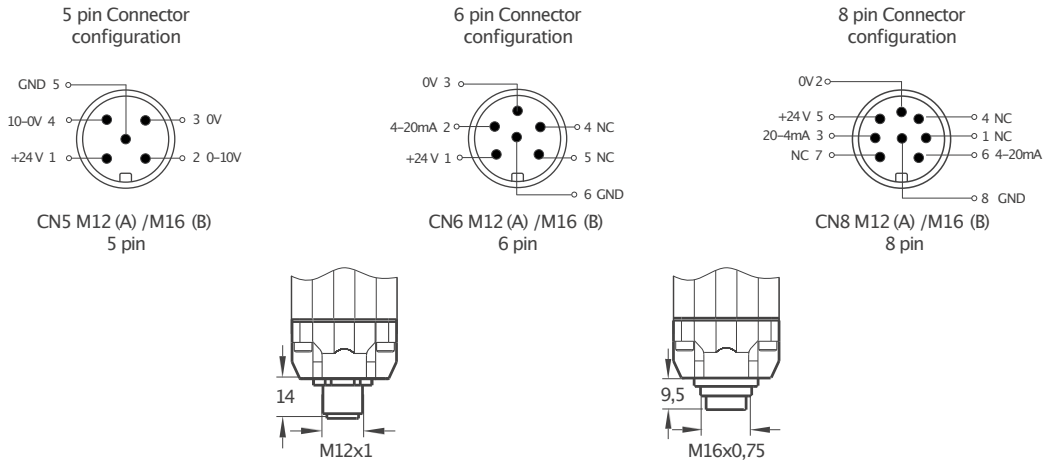
### Mechanical specifications



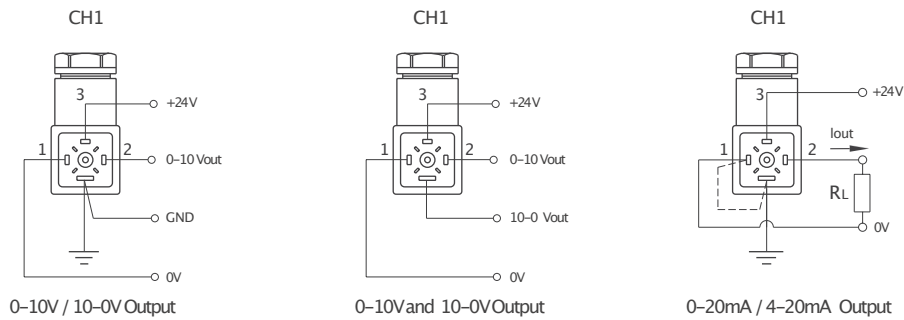
MMSW (mm)	50	100	150	200	250	300	350	400	450	500	550	600	650	700	750	800	850	900	1000	1100	1200	1300	1400	1500	1750	2000	2250	2500	3000	4000	5000
ML (Measuring Length)	50	100	150	200	250	300	350	400	450	500	550	600	650	700	750	800	890	900	1000	1100	1200	1340	1400	1500	1750	2000	2250	2500	3000	4000	5000
L (Total Length)	215	265	315	365	415	465	515	565	615	665	715	765	815	865	915	965	1015	1065	1165	1265	1365	1465	1565	1665	1915	2165	2457	2707	3217	4217	5247

For 118/47mm dead zone calculation

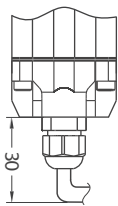
## Round Connector



## Hydraulic Type Connector



## Cable



### Voltage Output

+V : Brown  
 0V : Blue  
 0Vsense: Black  
 Output 1 : White (0-10V)  
 Output 2 : Orange (10-0V)  
 Earth : Shield

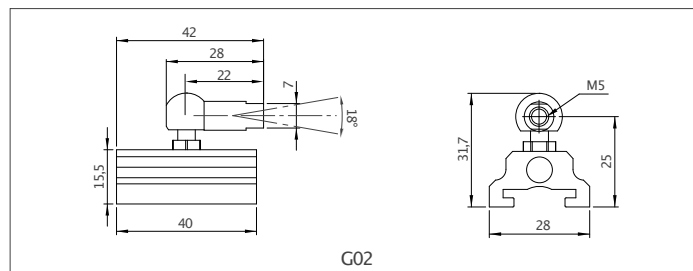
### Current Output

+V : Brown  
 0V : Blue  
 0Vsense : Black  
 Output 1 : White (4-20mA)  
 Output 2 : Orange (20-4mA)  
 Earth : Shield

### Cable Length

1M : 1meter (standard)  
 (Other cable lengths available)

## Cursor



## Ordering Procedure

Model	Measuring Range	Resolution	Cursor	Output	Connector /Cable	Bracket	Dead Zone (mm)
MMSW	300	A	1G02	V10	CH1	BR02	118/47
MMSW	50 ... 5000mm	A: 16 bit B: 12 bit	1G02: 1 cursor 2G02: 2 cursors	V10 :0-10V I40 :4-20mA V01 :10-0V I04 :20-4mA V11 :0-10V/10-0V I41 :4-20mA/20-4mA V50 :0-5V I20 :0-20mA V05 :5-0V I02 :20-0mA V51 :0-5V/5-0V I21 :0-20mA/20-0mA	CH1 : Hydraulic type CN5A : M12 CN5B : M16 CN6A : M12 CN6B : M16 CN8A : M12 CN8B : M16  1M : 1 meter 2M5 : 2,5 meters	BR01 BR02	≤2000 mm MMSW:118/47 >2000-3000 mm MMSW:160/47 >3000-4000 mm MMSW:190/47 >4000-5000 mm MMSW:230/47