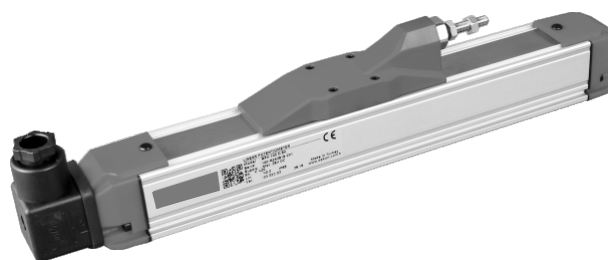


MRPH

Linear Potentiometer

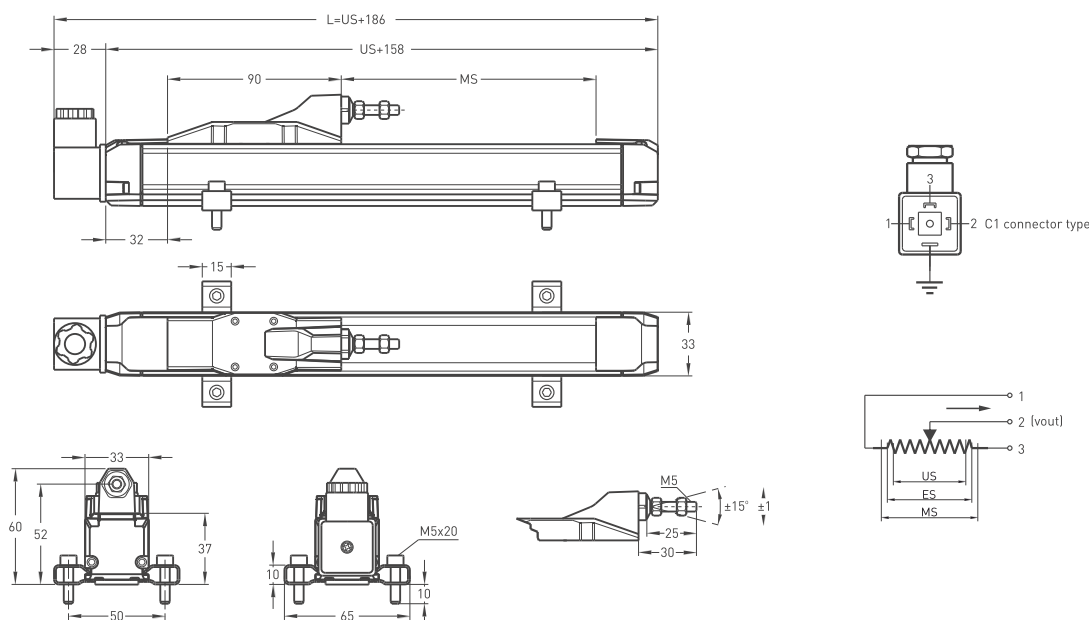
- Measuring range 100 - 1950 mm
- Long mechanical life 100 million movements
- Excellent repeatability <0.01 mm
- Infinite resolution
- 5 kOhm : 100 ... 600 mm
10 kOhm : 650 ... 1000 mm
20 kOhm : 1250 ... 1950 mm



Technical specifications

Measurement stroke	100 ... 1950 mm
Linearity	± %0,05 (>200mm), ±%0,1 (130-200mm), ± %0,2 (75-130mm), ±%0,5 (<75mm)
Repeatability	< 0.01 mm
Resolution	Infinite
Resistance	5 kOhm : 100 ... 600 mm 10 kOhm : 650 ... 1000 mm 20 kOhm : 1250 ... 1950 mm
Resistance tolerance	± %20
Load resistance	100 kOhm min.
Recommended cursor current	< 1 µA
Permissible applied voltage	28 VDC maks.
Electrical connections	4 pin connector
Displacement speed	< 1,5 m/s
Mechanical life	100 million movement
Case dimensions	33 mm x 33 mm
Case material	Anodized aluminium
Mechanical fixing	Variable brackets
IP degree	IP 40 (if mounted upside down IP 53)
Operating temperature	-20°C ... +80°C
Storage temperature	-30°C ... +90°C

Mechanical specifications



MRPH (mm)	100	125	130	150	175	200	225	250	275	300	325	350	375	400	450	500	550	600	650	700	750	800	850	900	1000	1250	1500	1750	1950
US (Usefull Stroke)	100	125	130	150	175	200	225	250	275	300	325	350	375	400	450	500	550	600	650	700	750	800	850	900	1000	1250	1500	1750	1950
MS (Mechanical Stroke)	104	129	134	154	179	204	229	254	279	304	329	354	379	404	454	504	554	604	654	704	754	804	854	904	1004	1254	1504	1754	1954
L (Total Length)	286	311	316	336	361	386	411	436	461	486	511	536	561	586	636	686	736	786	836	886	936	986	1036	1086	1186	1436	1686	1936	2136

Model	Measurement stroke (mm)	Linearity (%)	Resistance (kOhm)	Connector / Cable
(example) MRPH	500	D	5K	C1
MRPH	100 ... 1950 mm	D : ± %0,05 (>200 mm) ± %0,1 (130-200 mm) ± %0,2 (75-130 mm) ± %0,5 (<75 mm)	5K : 5 KOhm 10K : 10 KOhm 20K : 20 KOhm	C1 : 4 pin connector 1M: 1 meter cable C5 : Connector