

MSLPKS

Linear Potentiometer

Spring Return, Slim Body Series

- Measuring range 10 – 100mm
- Long mechanical life
- Excellent repeatability <0.01mm
- Infinite resolution
- 2 kOhm: 10 – 25 mm
- 5 kOhm: 75 – 100mm



MSLPKS
Connector type

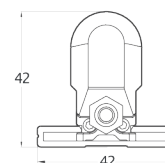
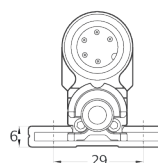
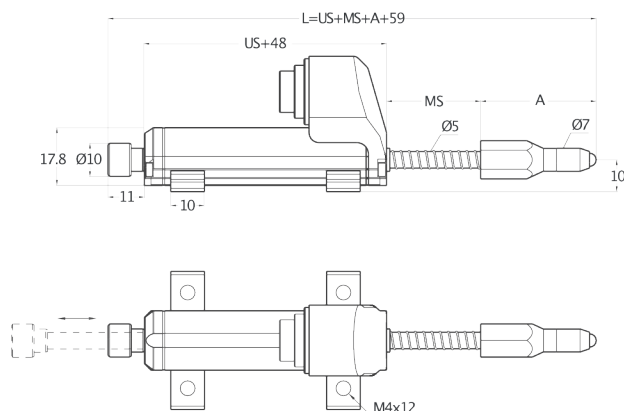


MSLPKS
Cable type

Technical Specifications

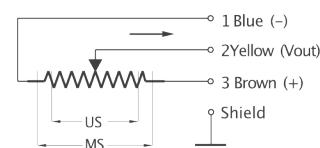
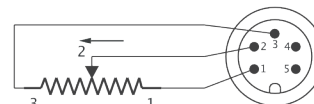
Measurement stroke	10 – 100 mm
Linearity	±%0,2 (75 – 100 mm), ±%0,5 (<75 mm)
Repeatability	<0.01 mm
Resolution	Infinite
Resistance	2 kOhm : 10 – 25 mm 5 kOhm : 75 – 100 mm
Resistance tolerance	±%20
Load resistance	100 kOhm min.
Recommended wiper current	<1 µA
Permissible applied voltage	28 VDC max.
Electrical connections	Connector or 1 m cable output
Displacement speed	<5 m/s
Mechanical life	100 million movement
Case dimensions	Ø18 mm
Case material	Anodized aluminium
Rod material	Stainless steel
Rod diameter	Ø5 mm
Mechanical fixing	Variable brackets
Protection level	IP 65 – EN 60529
Operating temperature	-20°C ... +80°C
Storage temperature	-30°C ... +90°C

Mechanical Specifications



MSLPKS (mm)	10	25	50	75	100
US (Useful stroke)	10	25	50	75	100
MS (Mechanical stroke)	13	28	53	78	103
L (Total length)	117	147	204	254	304

A	
MSLPKS	35
MSLPKS 25	35
MSLPKS 50	42
MSLPKS 75	42
MSLPKS 100	42



Ordering Procedure

Model	Measurement stroke (mm)	Linearity (%)	Resistance (kOhm)	Connector / Cable
MSLPKS	100	A	5K	1M
MSLPKS	10 – 100 mm	A : ±%0,5 (<75 mm) B : ±%0,2 (75 – 100 mm)	2K : 2 kOhm (<75 mm) 5K : 5 kOhm (75 – 100 mm)	1M : 1 meter cable (standard) C5 : Connector