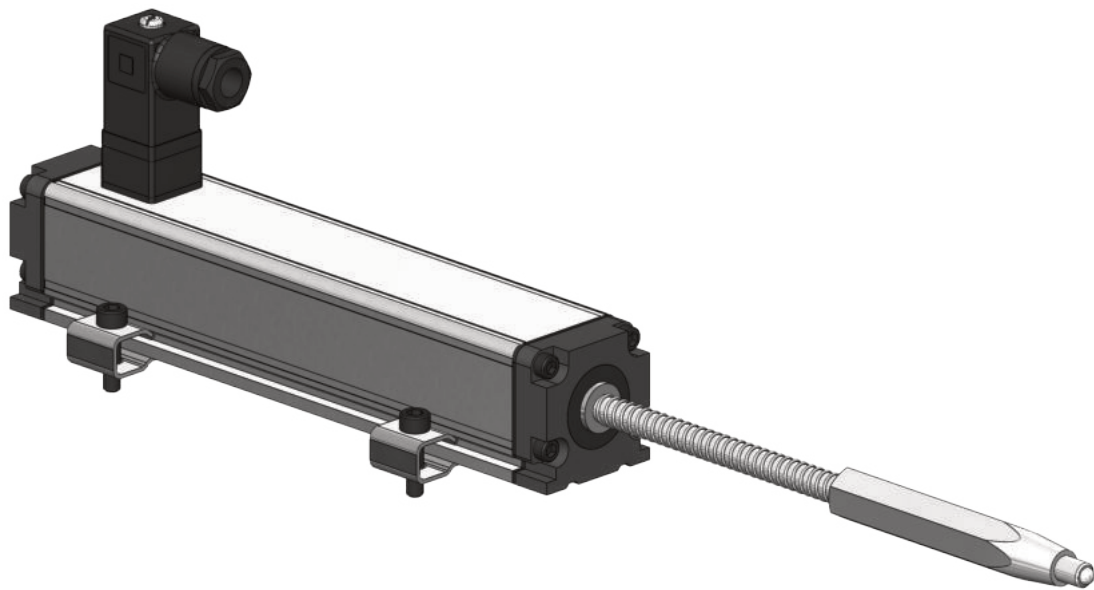


MLPS

Linear Potentiometer

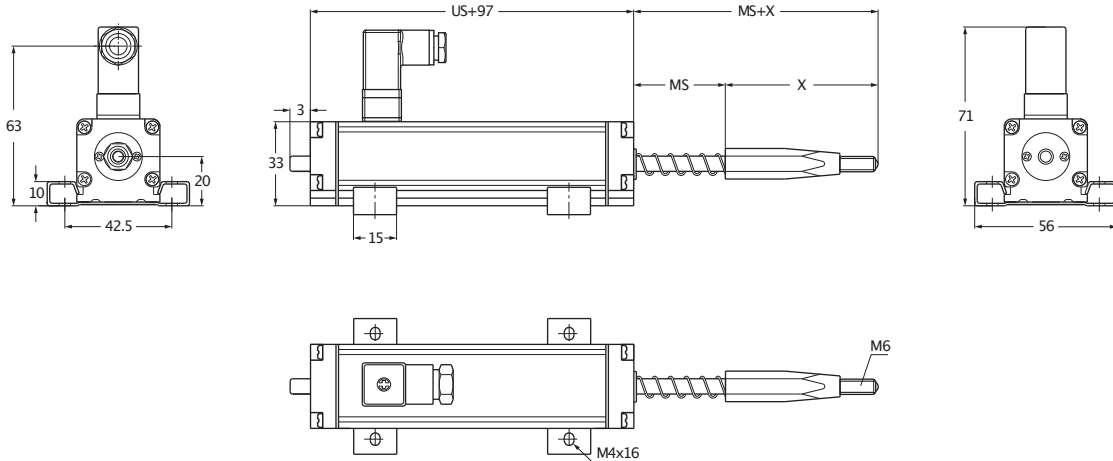
Spring Return 30 – 150mm



1. TECHNICAL SPECIFICATIONS

Measurement stroke	30 - 150 mm
Resolution	Infinite
Repeatability	<0.01 mm
Permissible applied voltage	28 VDC max.
Electrical connections	CH2: Hydraulic type, 4 pin connector output (standard)
Displacement speed	<5 m/s
Mechanical life	100million movement
Protection level	IP 50
Resistance	5 kOhm: 30 - 150 mm
Resistance tolerance	±%20
Load resistance	100 kOhm min.
Recommended wiper current	<1µA
Linearity	A: ±%0.5 (≤75mm) B: ±%0.2 (100 - 125 mm) C: ±%0.1 (130 - 150 mm)
Case dimensions	33 mm x 33 mm
Case material	Anodizedaluminium
Caps material	ABS Plastic
Rod material	Stainless steel AISI 303
Rod diameter	Ø6 mm
Mechanical fixing	Variable brackets
Operating temperature	-20°C... +80°C
Storage temperature	-30°C... +90°C

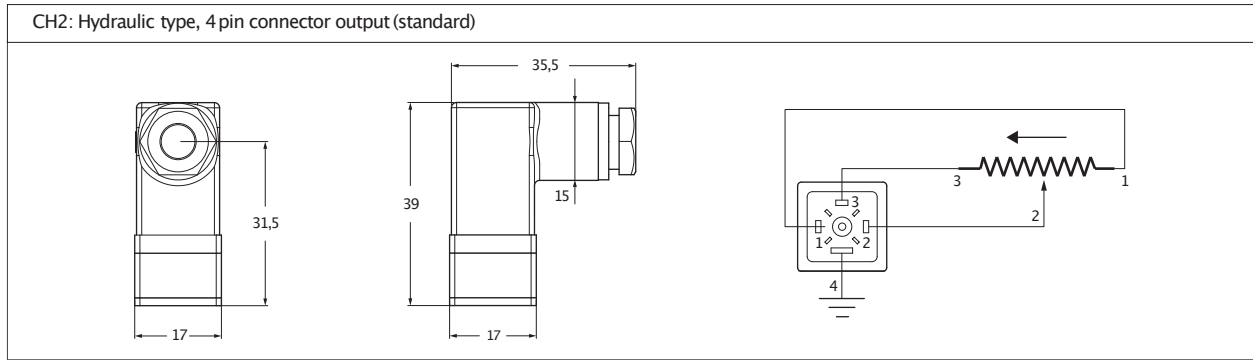
2. MECHANICAL SPECIFICATIONS



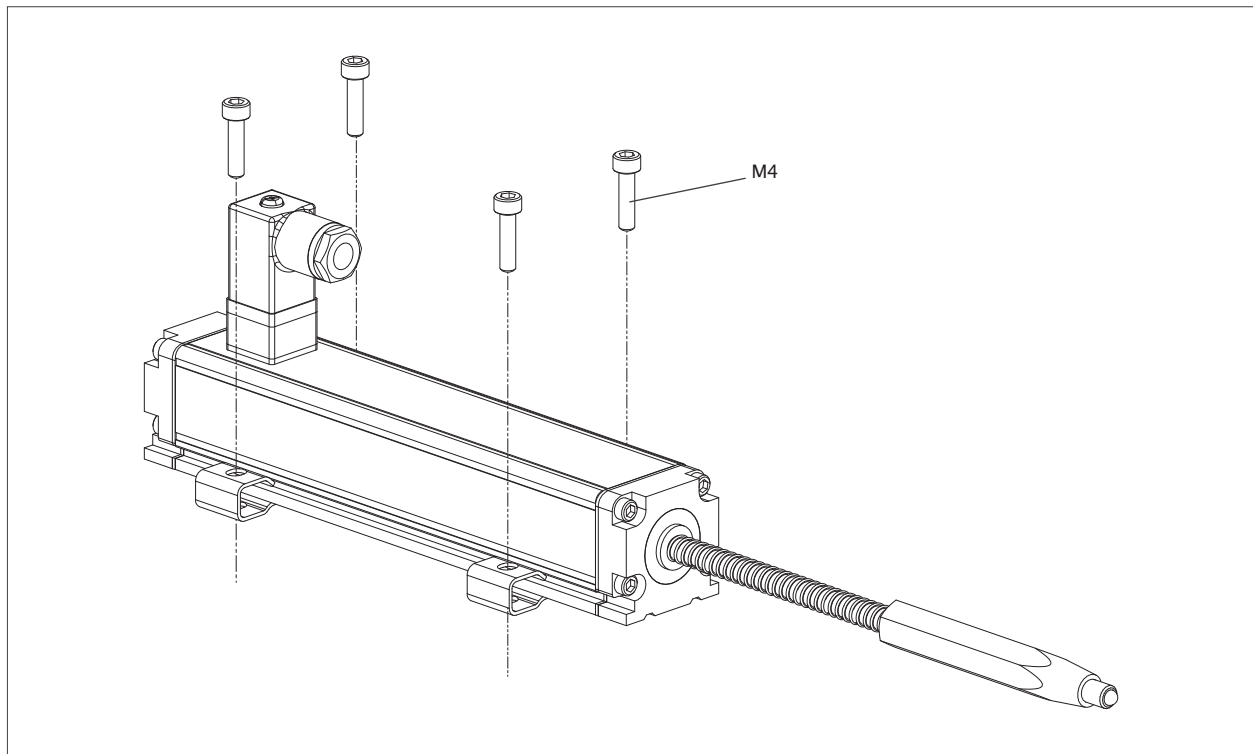
	MLPS 30	MLPS 50	MLPS 75	MLPS 100	MLPS 150
X	63 mm	68 mm	78 mm	88 mm	108 mm

MLPS (mm)	30	50	75	100	125	150
US (Usefull stroke)	30	50	75	100	125	150
MS (Mechanical stroke)	34	54	79	104	129	154
L (Total length)	227	272	332	392	452	512

3.CONNECTOR



4.ASSEMBLY



5.ORDERING PROCEDURE

1	Model MLPS: Linear Potentiometer Long Stroke Series
2	Measuring range 30 – 150 mm
3	Linearity A: $\pm 0.5\%$ (≤ 75 mm) B: $\pm 0.2\%$ (100 – 125 mm) C: $\pm 0.1\%$ (130 – 150 mm)
4	Resistance (kOhm) 5K: 5 kOhm (30 – 150 mm)
5	Connector CH2: Hydraulic type, 4 pin connector output (standard)

For example:

MLPS	175	A	5K	CH2
1	2	3	4	5